

---

*Comfort-Cire*®

**Century**®

---

**Submittal Data**

**HEW Series**



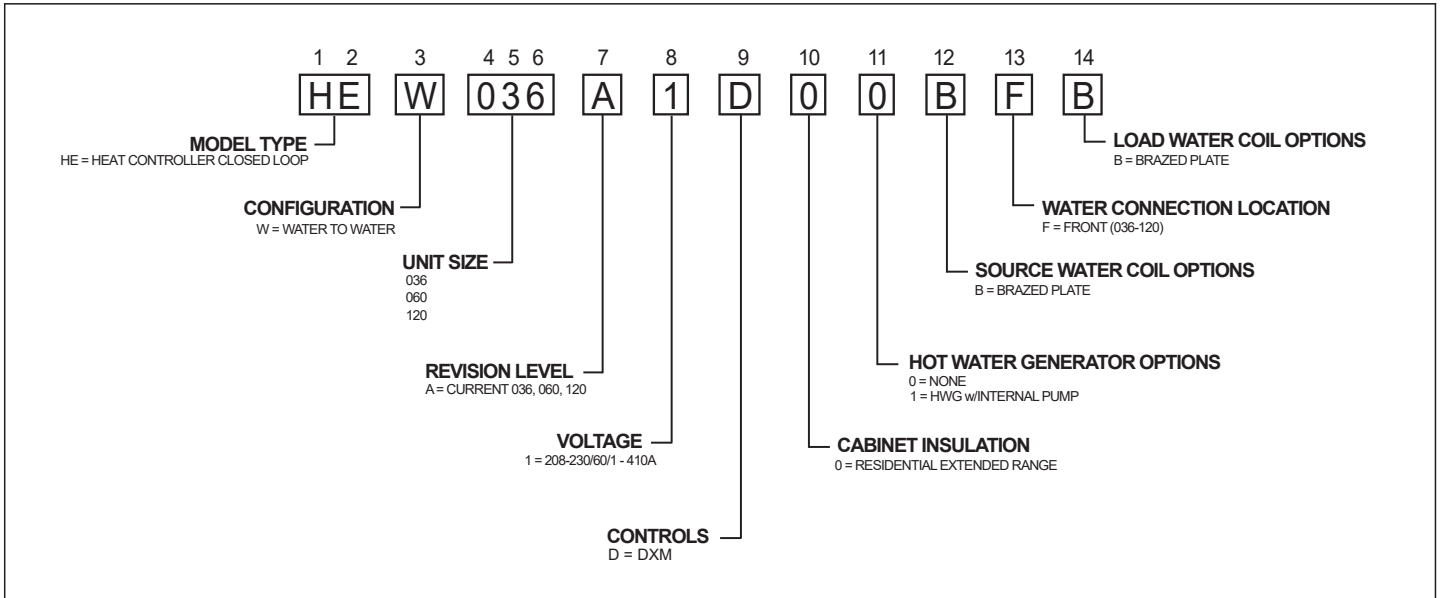
---

[www.marsdelivers.com](http://www.marsdelivers.com)

# Table of Contents

Unit Model Key .....	2	HEW 036, 060 & 120 Dimensions .....	17
Series Features .....	3-4	HEW 036 & 060 Electrical Wiring Diagram .....	18
AHRI/ISO/ASHRAE/ANSI 13256-2 Performance	4	HEW 120 Electrical Wiring Diagram.....	19
Performance Data Selection Notes .....	5	Accessories & Options .....	20
Performance Data .....	6	Warranty .....	22
Physical Data.....	14	Performance Sheet.....	23
Electrical Data .....	16	Revision History.....	24

## Unit Model Key



### WARNING!

**WARNING!** HEW is for GROUND LOOP INSTALLATIONS ONLY. Installing HEW on open loop system will void warranty and unit will not be eligible for federal tax credit.

# Water-To-Water (HEW) Series Features

## The Water-To-Water (HEW) Series

The HEW water to water series offers a wide range of units for most any installation with an extended range refrigerant circuit, capable of ground loop (geothermal) applications. As Comfort-Aire/Century's most adaptable EarthPure® HFC-410A refrigerant units, the HEW Series can be used for radiant floor heating, snow/ice melt, chilled water for fan coils, potable hot water generation (with hot water generator option), hot/chilled water for make-up air, and many other types of HVAC applications.

Available in sizes 036 [8.7 kW], 060 [13.5 kW] and 120 [26.9 kW] the HEW Series offers a wide range of units for most any installation. The HEW has an extended range refrigerant circuit, capable of ground loop (geothermal) applications as well as water loop (boiler-tower) applications. Standard features are many. Brazed Plate heat exchanger, refrigerant suction lines and all water lines are fully insulated to eliminate condensation problems in low temperature applications. Microprocessor controls, galvanized steel cabinet, powder coat paint, stainless steel front access panels, TXV refrigerant metering device, and water flow switches to safeguard brazed plated heat exchangers, are just some of the features of the flexible HEW Series.

Comfort-Aire/Century's exclusive dual level compressor isolation mounting system makes the HEW Series the quietest water-to-water unit on the market. Compressors are mounted on vibration isolation grommets to a heavy gauge mounting plate, which is then isolated from the cabinet base with rubber grommets for maximized vibration/sound attenuation.

The HEW Series water-to-water heat pumps are designed to meet the challenges of today's HVAC demands with a high efficiency, high value solution.

## Application Flexibility

- Three Capacities 036 [8.7 kW], 060 [13.5 kW], & 120 [26.9 kW].
- Copeland scroll compressors.
- Dual refrigeration circuits on size 120.
- Galvanized steel construction with epoxy powder coat paint.
- Insulated compressor compartment.
- TXV metering device.
- Extended range (20 to 120°F, -6.7 to 48.9°C) operation.
- Microprocessor controls standard.
- 1" swivel-type water connections for models 036 & 060.
- Flush securely-mounted corner post water connections (no backup wrench required) for model 120.
- Compressor "run" and "fault" lights on the front of the cabinet.
- Seven Safeties Standard.
- Intended for closed loop (geothermal) applications only.

## Service & Installation Advantages

- Three Removable access panels.
- Low profile control box grants easy access to all internal components.
- Factory installed liquid line filter/drier.
- EarthPure® HFC-410A zero ozone depletion refrigerant.
- Brass swivel-type water connections for quick connection and elimination of wrenches or sealants during installation (036, 060 models).
- Bi-directional thermal expansion valve.
- DXM control features status lights with memory for easy diagnostics.
- Circuit breaker protected 75VA control transformer.
- High and low pressure service ports on refrigerant circuit.
- Accurate refrigerant sensing low-temperature protection.
- Solid state DXM control features: Anti-short cycle, high & low pressure, loss of charge protection, LED fault, and status indication with memory for easy diagnostics.
- 24vac accessory relays.
- Strainers shipped loose for field installation in load and source water in lines.

## Factory Quality & Certifications

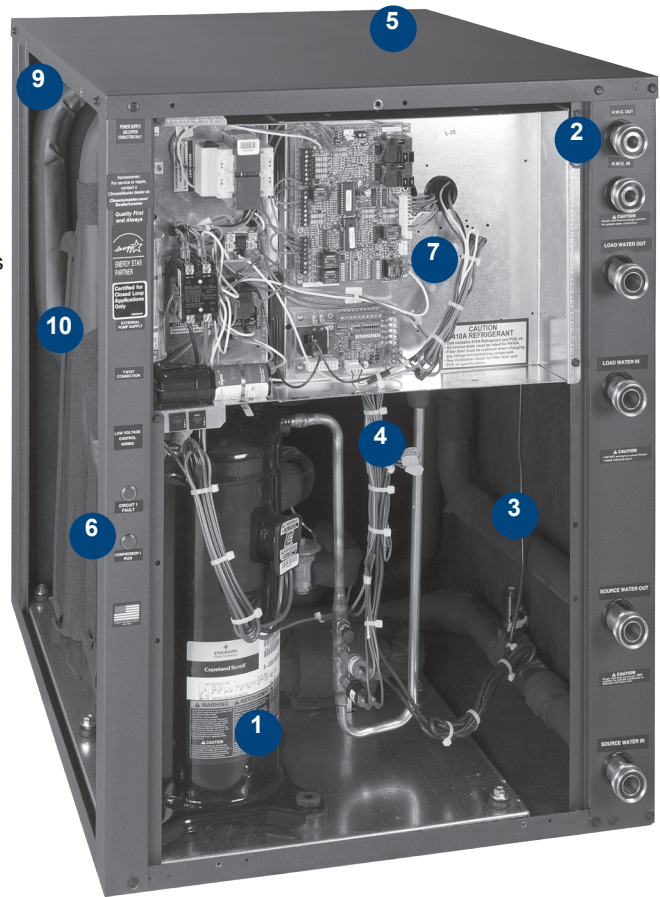
- All units are built and factory run tested on our Integrated Process Control Assembly System (IPCS). The IPCS is a unique state-of-the-art manufacturing system that is designed to assure quality of the highest standards of any manufacturer in the water-source industry. Our IPCS system:
  - Verifies that the correct components are being assembled.
  - Automatically performs special leak tests on all joints.
  - Conducts pressure tests.
  - Performs detailed run test.
  - Automatically disables packaging for a "failed" unit.
  - Creates computer database for future service analysis and diagnostics from run test results.
- All units are water run-tested in all modes to insure efficiency and reliability.
- Heavy gauge galvanized steel cabinets are epoxy powder coated for durable and long-lasting finish.
- All refrigerant brazing is done in a nitrogen atmosphere.
- All units are deep evacuated to less than 100 microns prior to refrigerant charging.
- All joints are both helium and halogen leak tested to insure annual leak rate of less than 1/4 ounce.
- AHRI/ASHRAE/ANSI/ISO 13256-2 certified.
- ETL listed.
- US EPA "Energy Star" certified for GLHP applications.

## Options & Accessories

- Hot water generator with internal pump.
- Geothermal pumping modules

# Water-To-Water (HEW) Series Features

- 1 Copeland™ High Efficiency Scroll Compressor
- 2 Optional Hot Water Generator With Internal Pump
- 3 Fully Insulated Water and Refrigerant Lines
- 4 Fully Insulated Compressor Section
- 5 Powder Coated Steel Cabinet with Stainless Steel Access Panels For Long Life
- 6 System Operating LED Lights
- 7 Unit Performance Sentinel: Automatic Alert System Lets You Know If The System Is Not Running At Peak Performance
- 8 Dual Level Compressor Isolation Mounting for Ultra Quiet Operation
- 9 Multiple Removable Access Panels for Service
- 10 Brazed Plate heat exchangers



## AHRI/ISO/ASHRAE/ANSI 13256-2 Performance

ASHRAE/AHRI/ISO 13256-2. English (I-P) Units

Model	Ground Loop Heat Pump			
	Cooling		Heating	
	Indoor 53.6°F Outdoor 77°F		Indoor 104°F Outdoor 32°F	
	Capacity Btuh	EER Btuh/W	Capacity Btuh	COP
HEW036	30,400	16.5	26,900	3.1
HEW060	56,700	17.3	47,100	3.1
HEW120	113,400	17.3	94,200	3.1

All ratings based upon 208V operation  
Indoor coil also called "Load" and outdoor coil also called "Source"

ASHRAE/AHRI/ISO 13256-2. Metric (S-I) Units

Model	Ground Loop Heat Pump			
	Cooling		Heating	
	Indoor 12°C Outdoor 25°C		Indoor 40°C Outdoor 0°C	
	Capacity Watts	EER W/W	Capacity Watts	COP
HEW036	8.91	4.8	7.88	3.1
HEW060	16.62	5.1	13.80	3.1
HEW120	33.24	5.1	27.61	3.1

All ratings based upon 208V operation  
Indoor coil also called "Load" and outdoor coil also called "Source"

# Performance Data Selection Notes

For operation in the shaded area when water is used in lieu of an anti-freeze solution, the LWT (Leaving Water Temperature) must be calculated. Flow must be maintained to a level such that the LWT is maintained above 40°F [4.4°C] when the JW3 jumper is not clipped (see example below). Otherwise, appropriate levels of a proper anti-freeze should be used in systems with leaving water temperatures of 40°F or below and the JW3 jumper should be clipped. This is due to the potential of the refrigerant temperature being as low as 32°F [0°C] with 40°F [4.4°C] LWT, which may lead to a nuisance cutout due to the activation of the Low Temperature Protection. JW3 should never be clipped for standard range equipment or systems without antifreeze.

**Example:**

At 50°F EWT (Entering Water Temperature) and 1.5 gpm/ton, a 3 ton unit has a HE of 22,500 Btuh. To calculate LWT, rearrange the formula for HE as follows:

HE = TD x GPM x 500, where HE = Heat of Extraction (Btuh); TD = temperature difference (EWT - LWT) and GPM = U.S. Gallons per Minute.

$$TD = HE / (GPM \times 500)$$

$$TD = 22,500 / (4.5 \times 500)$$

$$TD = 10^\circ F$$

$$LWT = EWT - TD$$

$$LWT = 50 - 10 = 40^\circ F$$

In this example, as long as the EWT does not fall below 50°F, the system will operate as designed. For EWTs below 50°F, higher flow rates will be required.

		Flow 15.0 GPM						
WPD		HC Mbtuh	Power KW	HE Mbtuh	LWT F	COP	WPD	
PSI	FT						PSI	FT
3.3	7.7	45.3	2.70	36.1	66.0	4.9	6.0	13.8
3.1	7.1	45.1	3.43	33.4	86.0	3.8	5.6	13.0
2.9	6.7	43.6	4.48	28.3	105.8	2.9	5.3	12.3
3.3	7.7	48.5	2.69	39.4	66.5	5.3	6.0	13.8
3.1	7.1	48.7	3.42	37.0	86.5	4.2	5.6	13.0
2.9	6.7	47.7	4.46	32.5	106.4	3.1	5.3	12.3
2.8	6.4	45.6	5.82	25.8	126.1	2.3	5.1	11.7
3.3	7.7	53.9	2.70	44.7	67.2	5.8	6.0	13.8
3.1	7.1	53.9	3.44	42.2	87.2	4.6	5.6	13.0
2.9	6.7	52.5	4.48	37.2	107.0	3.4	5.3	12.3
2.8	6.4	49.8	5.84	29.9	126.6	2.5	5.1	11.7
3.3	7.7	52.0	2.71	42.7	66.9	5.6	6.0	13.8
3.1	7.1	51.8	3.46	40.0	86.9	4.4	5.6	13.0
2.9	6.7	50.2	4.51	34.8	106.7	3.3	5.3	12.3
2.8	6.4	47.1	5.86	27.1	126.3	2.4	5.1	11.7
3.3	7.7	55.1	2.70	45.8	67.3	6.0	6.0	13.8
3.1	7.1	55.4	3.44	43.7	87.4	4.7	5.6	13.0
2.9	6.7	54.2	4.47	39.0	107.2	3.6	5.3	12.3
2.8	6.4	52.0	5.84	32.1	126.9	2.6	5.1	11.7
3.3	7.7	54.9	2.71	45.9	68.5	6.9	6.0	13.8
3.1	7.1	54.5	3.46	43.7	88.6	5.8	5.6	13.0
2.9	6.7	52.5	4.51	37.2	107.0	3.4	5.3	12.3
2.8	6.4	49.8	5.84	29.9	126.6	2.5	5.1	11.7

**Antifreeze Correction Table**

Antifreeze Type	Antifreeze %	Cooling			Heating		WPD Corr. Fct. EWT 30°F
		EWT 90°F			EWT 30°F		
		Total Cap	Sens Cap	Power	Htg Cap	Power	
Water	0	1.000	1.000	1.000	1.000	1.000	1.000
Propylene Glycol	5	0.995	0.995	1.003	0.989	0.997	1.070
	15	0.986	0.986	1.009	0.968	0.990	1.210
	25	0.978	0.978	1.014	0.947	0.983	1.360
Methanol	5	0.997	0.997	1.002	0.989	0.997	1.070
	15	0.990	0.990	1.007	0.968	0.990	1.160
	25	0.982	0.982	1.012	0.949	0.984	1.220
Ethanol	5	0.998	0.998	1.002	0.981	0.994	1.140
	15	0.994	0.994	1.005	0.944	0.983	1.300
	25	0.986	0.986	1.009	0.917	0.974	1.360
Ethylene Glycol	5	0.998	0.998	1.002	0.993	0.998	1.040
	15	0.994	0.994	1.004	0.980	0.994	1.120
	25	0.988	0.988	1.008	0.966	0.990	1.200

# Performance Data — HEW036 - Cooling

SOURCE				LOAD																						
EWT °F	Flow			EWT °F	Flow 4.5 GPM						Flow 6.8 GPM						Flow 9.0 GPM									
	GPM	WPD			TC Mbtuh	Power kW	HR Mbtuh	LWT °F	EER	WPD		TC Mbtuh	Power kW	HR Mbtuh	LWT °F	EER	WPD		TC Mbtuh	Power kW	HR Mbtuh	LWT °F	EER	WPD		
		PSI	FT							PSI	FT						PSI	FT						PSI	FT	
50	4.5	1.3	3.1	50	32.5	1.49	37.6	35.6	21.8	0.6	1.4	34.5	1.52	39.7	39.8	22.7	1.4	3.2	35.3	1.5	40.5	42.1	23.2	2.6	5.9	
				60	36.8	1.53	42.0	43.6	24.1	0.5	1.2	38.4	1.54	43.6	48.6	24.9	1.3	3.1	39.2	1.5	44.5	51.3	25.3	2.5	5.8	
				70	40.4	1.55	45.7	52.0	26.0	0.5	1.1	41.6	1.56	47.0	57.7	26.6	1.3	2.9	42.4	1.6	47.8	60.6	27.0	2.4	5.6	
				80	43.2	1.57	48.6	60.8	27.5	0.4	0.9	44.2	1.58	49.6	66.9	28.0	1.2	2.8	44.8	1.6	50.3	70.0	28.1	2.3	5.4	
				90	45.1	1.58	50.5	69.9	28.6	0.3	0.8	46.2	1.60	51.7	76.3	28.9	1.1	2.6	46.6	1.6	52.1	79.7	28.9	2.2	5.1	
	6.8	3.4	7.8	50	32.9	1.41	37.7	35.4	23.3	0.6	1.4	34.9	1.44	39.8	39.7	24.2	1.4	3.2	35.8	1.4	40.7	42.0	24.8	2.6	5.9	
				60	37.3	1.45	42.2	43.4	25.7	0.5	1.2	38.9	1.46	43.9	48.5	26.6	1.3	3.1	39.7	1.5	44.7	51.2	27.1	2.5	5.8	
				70	40.9	1.47	46.0	51.8	27.8	0.5	1.1	42.2	1.48	47.2	57.5	28.4	1.3	2.9	42.9	1.5	48.0	60.5	28.8	2.4	5.6	
				80	43.8	1.49	48.9	60.5	29.4	0.4	0.9	44.8	1.50	49.9	67.7	29.9	1.2	2.8	45.4	1.5	50.6	69.9	30.0	2.3	5.4	
				90	45.7	1.50	50.8	69.7	30.5	0.3	0.8	Operation not recommended														
	9.0	6.0	13.9	50	33.3	1.33	37.8	35.2	25.1	0.6	1.4	35.4	1.35	40.0	39.5	26.1	1.4	3.2	36.2	1.4	40.9	41.9	26.8	2.6	5.9	
				60	37.8	1.36	42.4	43.2	27.8	0.5	1.2	39.4	1.37	44.0	48.3	28.7	1.3	3.1	40.2	1.4	44.9	51.1	29.2	2.5	5.8	
70				41.5	1.38	46.2	51.6	30.0	0.5	1.1	42.7	1.39	47.5	57.3	30.7	1.3	2.9	43.5	1.4	48.3	60.3	31.1	2.4	5.6		
80				44.3	1.40	49.1	60.3	31.7	0.4	0.9	45.4	1.41	50.2	66.6	32.3	1.2	2.8	46.0	1.4	50.8	69.8	32.5	2.3	5.4		
90				46.3	1.41	51.1	69.4	33.0	0.3	0.8	Operation not recommended															
70	4.5	1.0	2.3	50	30.1	1.96	36.8	36.6	15.3	0.6	1.4	32.1	1.95	38.8	40.5	16.4	1.4	3.2	33.0	2.0	39.7	42.7	16.7	2.6	5.9	
				60	34.1	1.98	40.9	44.8	17.2	0.5	1.2	37.6	1.96	44.3	48.9	19.2	1.3	3.1	36.6	2.0	43.3	51.9	18.7	2.5	5.8	
				70	39.0	2.01	45.9	52.7	19.4	0.5	1.1	41.7	1.98	48.5	57.6	21.0	1.3	2.9	39.9	2.0	46.7	61.1	19.9	2.4	5.6	
				80	42.7	2.03	49.7	61.0	21.1	0.4	1.0	45.4	2.01	52.3	66.5	22.5	1.2	2.8	42.9	2.0	49.8	70.5	21.1	2.3	5.4	
				90	46.2	2.05	53.2	69.5	22.5	0.3	0.8	Operation not recommended														
	6.8	2.8	6.5	50	30.5	1.86	36.8	36.5	16.4	0.6	1.4	32.5	1.85	38.8	40.4	17.5	1.4	3.2	33.4	1.9	39.8	42.6	17.8	2.6	5.9	
				60	34.6	1.88	41.0	44.6	18.4	0.5	1.2	38.1	1.86	44.4	48.7	20.4	1.3	3.1	37.1	1.9	43.4	51.8	19.9	2.5	5.8	
				70	39.5	1.90	46.0	52.4	20.8	0.5	1.1	42.3	1.88	48.7	57.5	22.4	1.3	2.9	40.4	1.9	46.9	61.0	21.3	2.4	5.6	
				80	43.3	1.93	49.9	60.8	22.5	0.4	0.9	46.0	1.91	52.5	66.4	24.1	1.2	2.8	43.4	1.9	50.0	70.3	22.5	2.3	5.4	
				90	46.8	1.95	53.4	69.2	24.0	0.3	0.8	Operation not recommended														
	9.0	5.1	11.9	50	30.8	1.74	36.8	36.3	17.7	0.6	1.4	32.9	1.74	38.8	40.2	19.0	1.4	3.2	33.8	1.8	39.8	42.5	19.3	2.6	5.9	
				60	35.0	1.76	41.0	44.4	19.9	0.5	1.2	38.6	1.75	44.5	48.6	22.1	1.3	3.1	37.5	1.7	43.5	51.7	21.5	2.5	5.8	
70				40.0	1.78	46.1	52.2	22.4	0.5	1.1	42.8	1.77	48.8	57.3	24.2	1.3	2.9	40.9	1.8	47.0	60.9	23.0	2.4	5.6		
80				43.8	1.81	50.0	60.5	24.3	0.4	0.9	46.6	1.79	52.7	66.2	26.0	1.2	2.8	44.0	1.8	50.2	70.2	24.3	2.3	5.4		
90				47.4	1.83	53.6	68.9	26.0	0.3	0.8	Operation not recommended															
90	4.5	0.8	1.8	50	27.0	2.55	35.7	38.0	10.6	0.6	1.4	28.9	2.59	37.7	41.4	11.1	1.4	3.2	29.7	2.6	38.4	43.4	11.5	2.6	5.9	
				60	31.1	2.58	39.9	46.2	12.1	0.5	1.2	34.0	2.60	42.8	49.9	13.1	1.3	3.1	33.6	2.6	42.3	52.5	13.1	2.5	5.8	
				70	36.2	2.60	45.1	53.9	13.9	0.5	1.1	38.9	2.62	47.8	58.5	14.9	1.3	2.9	37.4	2.6	46.2	61.7	14.4	2.4	5.6	
				80	40.5	2.62	49.4	62.0	15.5	0.4	0.9	42.9	2.65	52.0	67.3	16.2	1.2	2.8	41.1	2.6	50.0	70.9	15.6	2.3	5.4	
				90	44.2	2.64	53.2	70.4	16.7	0.3	0.8	Operation not recommended														
	6.8	2.4	5.4	50	27.3	2.42	35.6	37.9	11.3	0.6	1.4	29.3	2.46	37.7	41.3	11.9	1.4	3.2	30.0	2.4	38.4	43.3	12.3	2.6	5.9	
				60	31.5	2.44	39.8	46.0	12.9	0.5	1.2	34.4	2.46	42.8	49.8	14.0	1.3	3.1	34.0	2.4	42.3	52.4	14.0	2.5	5.8	
				70	36.7	2.47	45.1	53.7	14.9	0.5	1.1	39.4	2.48	47.9	58.3	15.9	1.3	2.9	37.8	2.5	46.2	61.6	15.4	2.4	5.6	
				80	41.0	2.49	49.5	61.8	16.5	0.4	0.9	43.5	2.51	52.1	67.1	17.3	1.2	2.8	41.6	2.5	50.1	70.8	16.7	2.3	5.4	
				90	44.7	2.50	53.3	70.1	17.9	0.3	0.8	Operation not recommended														
	9.0	4.5	10.3	50	27.7	2.27	35.4	37.7	12.2	0.6	1.4	29.6	2.31	37.5	41.2	12.9	1.4	3.2	30.4	2.3	38.2	43.2	13.3	2.6	5.9	
				60	31.9	2.29	39.7	45.8	13.9	0.5	1.2	34.8	2.31	42.7	49.7	15.1	1.3	3.1	34.4	2.3	42.2	52.3	15.1	2.5	5.8	
70				37.2	2.31	45.1	53.5	16.1	0.5	1.1	39.9	2.33	47.8	58.2	17.1	1.3	2.9	38.3	2.3	46.2	61.5	16.6	2.4	5.6		
80				41.5	2.33	49.5	61.5	17.8	0.4	0.9	44.0	2.35	52.1	67.0	18.7	1.2	2.8	42.1	2.3	50.1	70.6	18.0	2.3	5.4		
90				45.3	2.35	53.3	69.9	19.3	0.3	0.8	Operation not recommended															
110	4.5	0.6	1.4	50	23.3	3.27	34.4	39.7	7.1	0.6	1.4	24.9	3.33	36.2	42.6	7.5	1.4	3.2	25.3	3.3	36.7	44.4	7.6	2.6	5.9	
				60	27.7	3.30	39.0	47.7	8.4	0.5	1.2	29.4	3.33	40.8	51.3	8.8	1.3	3.1	30.2	3.3	41.6	53.3	9.1	2.5	5.8	
				70	32.1	3.33	43.5	55.7	9.6	0.5	1.1	33.9	3.34	45.3	60.0	10.2	1.3	2.9	34.9	3.3	46.3	62.3	10.4	2.4	5.6	
				80	36.4	3.34	47.8	63.8	10.9	0.4	0.9	38.4	3.36	49.8	68.6	11.4	1.2	2.8	39.4	3.4	50.9	71.3	11.7	2.3	5.4	
				90	40.5	3.35	51.8	72.8	12.6	0.3	0.8	Operation not recommended														
	6.75	2.0	4.7	50	23.5	3.10	34.1	39.5	7.6	0.6	1.4	25.2	3.16	36.0	42.5	8.0	1.4	3.2	25.7	3.2	36.4	44.3	8.1	2.6	5.9	
				60	28.1	3.14	38.8	47.5	9.0	0.5	1.2	29.8	3.16	40.6	51.2	9.4	1.3	3.1	30.6	3.2	41.4	53.2	9.7	2.5	5.8	
				70	32.5	3.16	43.3	55.6	10.3	0.5	1.1	34.3	3.17	45.1	59.8	10.8	1.3	2.9	35.3	3.2	46.2	62.2	11.1	2.4	5.6	
				80	36.9	3.17	47.7	63.6	11.6	0.4	0.9	38.8	3.19	49.7	68.5	12.2	1.2	2.8	39.9	3.2	50.8	71.1	12.5	2.3	5.4	
				90	41.0	3.18	51.7	72.6	13.3	0.3	0.8	Operation not recommended														
	9.0	4.0	9.2	50	23.8	2.91	33.8	39.4	8.2	0.6	1.4	25.5	2.96	35.6	42.4	8.6	1.4	3.2	26.0	3.0	36.1	44.2	8.8	2.6	5.9	
				60	28.4	2.94	38.5	47.4	9.7	0.5	1.2	30.2	2.96	40.3	51.1	10.2	1.3	3.1	31.0	3.0	41.1	53.1	10.4	2.5	5.8	
70				32.9	2.96	43.0	5																			



# Performance Data — HEW036 - Heating

Table Continued from Previous Page

SOURCE				LOAD																							
EWT °F	Flow			EWT °F	Flow 4.5 GPM						Flow 6.8 GPM						Flow 9.0 GPM										
	GPM	WPD			HC Mbtuh	Power KW	HE Mbtuh	LWT °F	COP	WPD		HC Mbtuh	Power KW	HE Mbtuh	LWT °F	COP	WPD		HC Mbtuh	Power KW	HE Mbtuh	LWT °F	COP	WPD			
		PSI	FT							PSI	FT						PSI	FT						PSI	FT		
60	4.5	1.2	2.7	60	39.0	1.57	33.6	77.3	7.3	0.5	1.2	39.7	1.48	34.6	71.8	7.8	1.3	3.1	39.9	1.44	34.9	68.9	8.1	2.5	5.8		
				80	38.6	2.01	31.8	97.2	5.6	0.4	0.9	39.2	1.90	32.7	91.6	6.0	1.2	2.8	39.3	1.85	33.0	88.7	6.2	2.3	5.4		
				100	37.6	2.61	28.7	116.7	4.2	0.3	0.7	38.0	2.47	29.6	111.3	4.5	1.1	2.5	38.0	2.40	29.8	108.5	4.6	2.1	4.9		
				120	36.0	3.37	24.5	136.0	3.1	0.2	0.5	36.1	3.19	25.2	130.7	3.3	0.9	2.1	36.0	3.11	25.4	128.0	3.4	1.8	4.3		
				130	Operation not recommended												34.8	3.61	22.5	140.3	2.8	0.8	1.9	34.7	3.51	22.7	137.7
	6.75	3.1	7.1	60	40.6	1.57	35.3	78.1	7.6	0.5	1.2	41.4	1.49	36.3	72.3	8.2	1.3	3.1	41.6	1.45	36.6	69.2	8.4	2.5	5.8		
				80	40.2	2.01	33.4	97.9	5.9	0.4	0.9	40.8	1.90	34.3	92.1	6.3	1.2	2.8	41.0	1.85	34.6	89.1	6.5	2.3	5.4		
				100	39.1	2.61	30.2	117.4	4.4	0.3	0.7	39.5	2.47	31.0	111.7	4.7	1.1	2.5	39.5	2.41	31.3	108.8	4.8	2.1	4.9		
				120	37.2	3.38	25.7	136.5	3.2	0.2	0.5	37.3	3.20	26.4	131.1	3.4	0.9	2.1	37.3	3.11	26.6	128.3	3.5	1.8	4.3		
				130	Operation not recommended												35.9	3.62	23.6	140.6	2.9	0.8	1.9	35.8	3.52	23.8	138.0
	9.0	5.6	12.8	60	41.5	1.57	36.1	78.4	7.7	0.5	1.2	42.2	1.49	37.2	72.5	8.3	1.3	3.1	42.4	1.45	37.5	69.4	8.6	2.5	5.8		
				80	41.0	2.01	34.1	98.2	6.0	0.4	0.9	41.6	1.91	35.1	92.3	6.4	1.2	2.8	41.8	1.86	35.5	89.3	6.6	2.3	5.4		
				100	39.8	2.62	30.9	117.7	4.5	0.3	0.7	40.2	2.48	31.8	111.9	4.8	1.1	2.5	40.3	2.41	32.0	109.0	4.9	2.1	4.9		
				120	37.8	3.38	26.3	136.8	3.3	0.2	0.5	38.0	3.20	27.0	131.2	3.5	0.9	2.1	37.9	3.12	27.3	128.4	3.6	1.8	4.3		
				130	Operation not recommended												36.5	3.62	24.1	140.8	3.0	0.8	1.9	36.4	3.53	24.4	138.1
70	4.5	1.0	2.3	60	42.1	1.58	36.7	78.7	7.8	0.5	1.2	42.9	1.49	37.8	72.7	8.4	1.3	3.1	43.1	1.46	38.1	69.6	8.7	2.5	5.8		
				80	42.4	2.02	35.5	98.8	6.2	0.4	0.9	43.0	1.91	36.5	92.7	6.6	1.2	2.8	43.2	1.86	36.8	89.6	6.8	2.3	5.4		
				100	41.6	2.62	32.7	118.5	4.7	0.3	0.7	42.1	2.48	33.6	112.5	5.0	1.1	2.5	42.2	2.41	33.9	109.4	5.1	2.1	4.9		
				120	39.8	3.38	28.3	137.7	3.5	0.2	0.5	40.0	3.20	29.1	131.9	3.7	0.9	2.1	40.0	3.12	29.4	128.9	3.8	1.8	4.3		
				130	Operation not recommended												38.6	3.62	26.3	141.4	3.1	0.8	1.9	38.5	3.53	26.5	138.6
	6.75	2.8	6.5	60	43.6	1.58	38.2	79.4	8.1	0.5	1.2	44.4	1.50	39.3	73.2	8.7	1.3	3.1	44.7	1.46	39.7	69.9	9.0	2.5	5.8		
				80	43.8	2.02	36.9	99.5	6.4	0.4	0.9	44.5	1.91	38.0	93.2	6.8	1.2	2.8	44.7	1.86	38.4	89.9	7.0	2.3	5.4		
				100	43.0	2.62	34.0	119.1	4.8	0.3	0.7	43.5	2.49	35.0	112.9	5.1	1.1	2.5	43.6	2.42	35.3	109.7	5.3	2.1	4.9		
				120	41.0	3.39	29.5	138.2	3.5	0.2	0.5	41.3	3.21	30.3	132.2	3.8	0.9	2.1	41.3	3.13	30.6	129.2	3.9	1.8	4.3		
				130	Operation not recommended												39.7	3.63	27.3	141.8	3.2	0.8	1.9	39.7	3.54	27.6	138.8
	9.0	5.1	11.9	60	44.3	1.59	38.9	79.7	8.2	0.5	1.2	45.1	1.50	40.0	73.4	8.8	1.3	3.1	45.4	1.46	40.4	70.1	9.1	2.5	5.8		
				80	44.5	2.02	37.6	99.8	6.4	0.4	0.9	45.2	1.92	38.7	93.4	6.9	1.2	2.8	45.4	1.87	39.1	90.1	7.1	2.3	5.4		
				100	43.6	2.63	34.6	119.4	4.9	0.3	0.7	44.1	2.49	35.6	113.1	5.2	1.1	2.5	44.2	2.42	36.0	109.8	5.4	2.1	4.9		
				120	41.6	3.40	30.0	138.5	3.6	0.2	0.5	41.8	3.22	30.9	132.4	3.8	0.9	2.1	41.8	3.13	31.1	129.3	3.9	1.8	4.3		
				130	Operation not recommended												40.2	3.64	27.8	141.9	3.2	0.8	1.9	40.2	3.54	28.1	138.9
80	4.5	0.9	2.0	60	45.3	1.59	39.8	80.1	8.3	0.5	1.2	46.1	1.51	41.0	73.7	9.0	1.3	3.1	46.4	1.47	41.4	70.3	9.3	2.5	5.8		
				80	46.2	2.03	39.2	100.5	6.7	0.4	0.9	46.9	1.92	40.4	93.9	7.2	1.2	2.8	47.1	1.87	40.8	90.5	7.4	2.3	5.4		
				100	45.7	2.63	36.7	120.3	5.1	0.3	0.7	46.3	2.49	37.8	113.7	5.4	1.1	2.5	46.4	2.42	38.1	110.3	5.6	2.1	4.9		
				120	43.8	3.40	32.2	139.5	3.8	0.2	0.5	44.1	3.22	33.2	133.1	4.0	0.9	2.1	44.2	3.13	33.5	129.8	4.1	1.8	4.3		
				130	Operation not recommended												27.9	3.61	15.6	138.3	2.3	0.8	1.9	27.7	3.51	15.7	136.2
	6.75	2.6	5.9	60	46.6	1.59	41.2	80.7	8.6	0.5	1.2	47.5	1.51	42.4	74.1	9.2	1.3	3.1	47.8	1.47	42.8	70.6	9.5	2.5	5.8		
				80	47.5	2.03	40.6	101.1	6.9	0.4	0.9	48.3	1.92	41.7	94.3	7.4	1.2	2.8	48.5	1.87	42.1	90.8	7.6	2.3	5.4		
				100	46.9	2.64	37.9	120.9	5.2	0.3	0.7	47.5	2.50	39.0	114.1	5.6	1.1	2.5	47.7	2.43	39.4	110.6	5.8	2.1	4.9		
				120	44.9	3.40	33.3	140.0	3.9	0.2	0.5	45.3	3.22	34.3	133.4	4.1	0.9	2.1	45.3	3.14	34.6	130.1	4.2	1.8	4.3		
				130	Operation not recommended												28.5	3.62	16.1	138.4	2.3	0.8	1.9	28.3	3.52	16.3	136.3
	9.0	4.8	11.0	60	47.1	1.60	41.7	81.0	8.7	0.5	1.2	48.1	1.51	42.9	74.2	9.3	1.3	3.1	48.3	1.47	43.3	70.7	9.6	2.5	5.8		
				80	48.0	2.03	41.1	101.3	6.9	0.4	0.9	48.8	1.93	42.3	94.5	7.4	1.2	2.8	49.0	1.88	42.7	90.9	7.7	2.3	5.4		
				100	47.4	2.64	38.4	121.1	5.3	0.3	0.7	48.1	2.50	39.5	114.2	5.6	1.1	2.5	48.2	2.43	39.9	110.7	5.8	2.1	4.9		
				120	45.4	3.41	33.7	140.2	3.9	0.2	0.5	45.7	3.23	34.7	133.5	4.2	0.9	2.1	45.8	3.14	35.0	130.2	4.3	1.8	4.3		
				130	Operation not recommended																						

Interpolation is permissible, extrapolation is not  
 All performance data is based upon the lower voltage of dual voltage rated units  
 Operation below 40°F EWT is based upon 15% methanol antifreeze solution  
 See performance data notes for operation in the shaded areas. Calculation to determine percentage of antifreeze required on source side.  
 Performance stated is at the rated power supply, performance may vary as the power supply varies from the rated



# Performance Data — HEW060 - Cooling

SOURCE				LOAD																					
EWT °F	Flow			EWT °F	Flow 7.5 GPM						Flow 11.25 GPM						Flow 15.0 GPM								
	GPM	WPD			TC	Power	HR	LWT	EER	WPD	TC	Power	HR	LWT	EER	WPD	TC	Power	HR	LWT	EER	WPD			
		PSI	FT	Mbtuh	kW	Mbtuh	°F		PSI	FT	Mbtuh	kW	Mbtuh	°F		PSI	FT	Mbtuh	kW	Mbtuh	°F		PSI	FT	
50	7.5	1.3	2.9	50	52.6	2.20	60.1	38.2	23.9	1.4	3.3	53.5	2.23	61.1	41.0	24.0	3.5	8.0	55.3	2.25	63.0	42.5	24.6	4.8	11.0
				60	53.2	2.22	60.8	47.1	23.9	1.4	3.2	54.1	2.25	61.7	50.5	24.1	3.3	7.7	55.9	2.27	63.7	52.4	24.7	4.6	10.6
				70	53.8	2.24	61.4	56.0	24.0	1.3	3.0	54.7	2.26	62.4	60.0	24.1	3.2	7.4	56.6	2.29	64.4	62.2	24.7	4.4	10.1
				80	55.5	2.24	63.2	64.7	24.7	1.2	2.9	56.4	2.27	64.1	69.4	24.9	3.1	7.1	58.4	2.29	66.2	72.0	25.5	4.3	9.8
	11.25	3.4	7.9	50	53.4	2.23	61.0	38.0	24.0	1.4	3.3	54.1	2.25	61.8	40.8	24.1	3.5	8.0	56.0	2.27	63.8	42.3	24.7	4.8	11.0
				60	55.5	2.25	63.1	46.7	24.7	1.4	3.2	56.2	2.27	64.0	50.1	24.8	3.3	7.7	58.2	2.29	66.0	52.0	25.4	4.6	10.6
				70	57.5	2.26	65.3	55.4	25.4	1.3	3.0	58.3	2.29	66.1	59.4	25.5	3.2	7.4	60.4	2.31	68.0	61.6	26.1	4.4	10.2
				80	58.1	2.27	65.8	64.3	25.6	1.2	2.9	58.9	2.29	66.7	69.0	25.7	3.1	7.1	60.9	2.31	68.8	71.5	26.4	4.3	9.8
	15.0	6.2	14.2	50	55.6	2.25	63.2	35.8	24.7	1.4	3.3	56.5	2.27	64.2	40.3	24.9	3.5	8.0	57.9	2.29	65.8	42.1	25.2	4.8	11.1
				60	57.5	2.27	65.2	45.0	25.3	1.4	3.2	58.7	2.29	66.6	49.8	25.6	3.3	7.7	61.5	2.31	69.0	51.5	26.6	4.6	10.6
				70	59.4	2.29	67.2	54.1	26.0	1.3	3.0	61.0	2.31	68.9	59.3	26.4	3.2	7.4	65.1	2.33	73.1	60.9	27.9	4.4	10.1
				80	60.3	2.29	68.1	63.5	26.4	1.2	2.9	61.8	2.31	69.7	68.7	26.7	3.1	7.1	65.8	2.34	73.8	70.8	28.2	4.2	9.8
70	7.5	1.1	2.5	50	49.1	2.82	58.7	38.1	17.4	1.4	3.3	50.3	2.85	60.0	41.1	17.7	3.5	8.0	52.0	2.88	61.8	42.9	18.1	4.7	11.0
				60	53.2	2.84	62.9	46.4	18.7	1.4	3.2	54.5	2.87	64.3	50.0	19.0	3.3	7.7	56.3	2.90	66.2	52.3	19.4	4.6	10.5
				70	57.2	2.86	67.0	54.8	20.0	1.3	3.0	58.7	2.89	68.5	59.1	20.3	3.2	7.4	60.6	2.92	70.6	61.7	20.8	4.4	10.1
				80	59.3	2.92	69.3	63.4	20.3	1.2	2.9	60.8	2.95	70.9	68.3	20.6	3.1	7.1	62.9	2.98	73.0	71.4	21.1	4.3	9.8
	11.25	3.0	6.9	50	50.2	2.85	59.9	38.0	17.6	1.4	3.3	51.4	2.88	61.2	41.0	17.8	3.5	8.0	53.1	2.91	63.0	42.8	18.3	4.8	11.0
				60	54.5	2.87	64.3	46.2	19.0	1.4	3.2	55.9	2.90	65.8	49.8	19.3	3.3	7.7	57.7	2.93	67.7	52.1	19.7	4.6	10.6
				70	58.9	2.89	68.8	54.5	20.4	1.3	3.0	60.4	2.92	70.3	58.8	20.7	3.2	7.4	62.4	2.94	72.4	61.4	21.2	4.4	10.2
				80	60.8	2.95	70.8	63.1	20.6	1.2	2.9	62.3	2.98	72.4	68.1	20.9	3.1	7.1	64.4	3.01	74.6	71.1	21.4	4.3	9.9
	15.0	5.5	12.8	50	61.3	2.29	69.1	72.8	26.7	1.2	2.7	62.6	2.31	70.5	78.1	27.0	3.0	6.9	66.6	2.34	74.6	80.7	28.5	4.1	9.4
				60	51.2	2.88	61.0	36.9	17.8	1.4	3.3	53.3	2.91	63.2	40.8	18.3	3.5	8.0	54.3	2.94	64.3	42.6	18.5	4.8	11.0
				70	55.6	2.90	65.5	45.4	19.2	1.4	3.2	57.6	2.93	67.6	49.6	19.7	3.3	7.7	59.4	2.96	69.5	51.8	20.1	4.6	10.6
				80	60.1	2.92	70.1	53.9	20.6	1.3	3.0	61.9	2.94	72.0	58.5	21.0	3.2	7.4	64.5	2.97	74.6	61.1	21.7	4.4	10.1
80	7.5	1.0	2.3	50	47.3	3.13	58.0	38.0	15.1	1.4	3.3	48.7	3.16	59.5	41.1	15.4	3.5	8.0	50.3	3.19	61.2	43.1	15.8	4.7	10.9
				60	53.1	3.15	63.9	46.1	16.9	1.4	3.2	54.7	3.18	65.6	49.8	17.2	3.3	7.7	56.5	3.21	67.5	52.3	17.6	4.6	10.5
				70	58.9	3.17	69.7	54.2	18.6	1.3	3.0	60.7	3.20	71.6	58.6	19.0	3.2	7.4	62.7	3.23	73.7	61.5	19.4	4.4	10.1
				80	61.3	3.25	72.4	62.7	18.8	1.2	2.9	63.1	3.29	74.3	67.8	19.2	3.1	7.1	65.1	3.32	76.5	71.1	19.6	4.3	9.8
	11.25	2.8	6.5	50	48.5	3.16	59.3	38.0	15.3	1.4	3.3	50.0	3.19	60.9	41.1	15.6	3.5	8.0	51.6	3.23	62.6	43.0	16.0	4.8	11.1
				60	54.1	3.18	64.9	46.0	17.0	1.4	3.2	55.7	3.21	66.6	49.7	17.3	3.3	7.7	57.5	3.24	68.6	52.2	17.7	4.6	10.6
				70	59.6	3.20	70.5	54.0	18.7	1.3	3.0	61.4	3.23	72.4	58.4	19.0	3.2	7.4	63.4	3.26	74.5	61.3	19.4	4.4	10.2
				80	62.1	3.29	73.4	62.5	18.9	1.2	2.9	64.0	3.32	75.3	67.6	19.3	3.1	7.1	66.1	3.35	77.5	70.9	19.7	4.3	9.9
	15.0	5.3	12.1	50	64.6	3.38	76.2	71.0	19.1	1.2	2.7	66.6	3.41	78.2	76.8	19.5	3.0	6.9	68.7	3.45	80.5	80.6	19.9	4.2	9.6
				60	49.0	3.19	59.9	37.4	15.3	1.4	3.3	51.7	3.23	62.7	41.0	16.0	3.5	8.0	52.4	3.26	63.5	42.9	16.1	4.8	11.0
				70	54.7	3.21	65.7	45.6	17.0	1.4	3.2	57.1	3.24	68.1	49.5	17.6	3.3	7.7	58.3	3.28	69.5	52.0	17.8	4.6	10.6
				80	60.5	3.23	71.5	53.8	18.7	1.3	3.0	62.4	3.26	73.5	58.1	19.1	3.2	7.4	64.2	3.30	75.4	61.1	19.5	4.4	10.1
90			63.3	3.32	74.7	62.3	19.1	1.2	2.9	65.3	3.35	76.7	67.4	19.5	3.1	7.1	67.8	3.39	79.3	70.5	20.0	4.3	9.8		
			66.2	3.41	77.9	70.8	19.4	1.2	2.7	68.2	3.45	79.9	76.7	19.8	3.0	6.9	71.4	3.48	83.2	80.0	20.5	4.1	9.6		

Table Continued on Next Page

Interpolation is permissible, extrapolation is not  
 All performance data is based upon the lower voltage of dual voltage rated units  
 See performance data notes for operation in the shaded areas. Calculation to determine percentage of antifreeze required on load side.  
 Performance stated is at the rated power supply, performance may vary as the power supply varies from the rated

WPD Adder For Required Strainer			
CV	GPM	PSI	FT HD
11.2	7.5	.7	1.6
11.2	11.25	1.0	2.3
11.2	15.0	1.3	3.0

# Performance Data — HEW060 - Cooling

Table Continued from Previous Page

SOURCE				LOAD																					
EWT °F	Flow			EWT °F	Flow 7.5 GPM						Flow 11.25 GPM						Flow 15.0 GPM								
	GPM	WPD			TC Mbtuh	Power kW	HR Mbtuh	LWT °F	EER	WPD		TC Mbtuh	Power kW	HR Mbtuh	LWT °F	EER	WPD		TC Mbtuh	Power kW	HR Mbtuh	LWT °F	EER	WPD	
		PSI	FT						PSI	FT					PSI	FT						PSI	FT		
90	7.5	0.9	2.1	50	44.8	3.57	57.0	38.7	12.5	1.4	3.3	46.3	3.61	58.6	41.6	12.8	3.5	8.0	47.5	3.65	59.9	43.4	13.0	4.7	10.9
				60	50.7	3.61	63.0	46.8	14.0	1.4	3.2	52.3	3.65	64.8	50.3	14.3	3.3	7.7	53.7	3.68	66.3	52.6	14.6	4.5	10.5
				70	56.6	3.65	69.0	54.9	15.5	1.3	3.0	58.4	3.69	70.9	59.1	15.8	3.2	7.4	59.9	3.72	72.6	61.8	16.1	4.4	10.1
				80	59.6	3.73	72.4	63.4	16.0	1.2	2.9	61.5	3.77	74.4	68.2	16.3	3.1	7.1	63.1	3.81	76.1	71.3	16.6	4.3	9.8
	90	62.7	3.82	75.7	71.9	16.4	1.2	2.7	64.7	3.86	77.9	77.3	16.8	3.0	6.9	66.4	3.90	79.7	80.9	17.0	4.1	9.6			
	11.25	2.7	6.1	50	45.9	3.61	58.2	38.6	12.7	1.4	3.3	47.4	3.65	59.8	41.5	13.0	3.5	8.0	48.6	3.68	61.2	43.4	13.2	4.8	11.0
				60	51.8	3.65	64.3	46.7	14.2	1.4	3.2	53.5	3.68	66.0	50.2	14.5	3.3	7.7	54.9	3.72	67.6	52.5	14.7	4.6	10.6
				70	57.7	3.69	70.3	54.8	15.7	1.3	3.0	59.6	3.72	72.3	58.9	16.0	3.2	7.4	61.1	3.76	73.9	61.6	16.2	4.4	10.2
				80	60.7	3.77	73.6	63.2	16.1	1.2	2.9	62.6	3.81	75.7	68.0	16.4	3.1	7.1	64.3	3.85	77.4	71.1	16.7	4.3	9.9
	90	63.7	3.86	76.9	71.7	16.5	1.2	2.7	65.7	3.90	79.0	77.1	16.9	3.0	6.9	67.4	3.94	80.9	80.6	17.1	4.1	9.6			
	15.0	5.0	11.6	50	46.5	3.65	59.0	38.1	12.8	1.4	3.3	48.6	3.68	61.1	41.4	13.2	3.5	8.0	49.5	3.72	62.2	43.3	13.3	4.7	10.9
				60	52.4	3.68	64.9	46.2	14.2	1.4	3.2	54.2	3.72	66.9	50.1	14.6	3.3	7.7	55.8	3.76	68.6	52.4	14.8	4.6	10.5
70				58.2	3.72	70.9	54.3	15.6	1.3	3.0	59.8	3.76	72.7	58.7	15.9	3.2	7.4	62.0	3.80	75.0	61.5	16.3	4.4	10.1	
80				61.6	3.81	74.6	62.9	16.2	1.2	2.9	63.4	3.85	76.6	67.8	16.5	3.1	7.1	65.8	3.89	79.0	70.8	16.9	4.3	9.8	
90	65.1	3.90	78.4	71.6	16.7	1.2	2.7	67.0	3.94	80.5	77.0	17.0	3.0	6.9	69.5	3.98	83.1	80.2	17.5	4.1	9.5				
110	7.5	0.8	1.8	50	39.8	4.46	55.0	39.9	8.9	1.4	3.3	41.3	4.50	56.7	42.5	9.2	3.5	8.0	41.7	4.55	57.3	44.1	9.2	4.7	10.9
				60	45.8	4.54	61.3	48.2	10.1	1.4	3.2	47.5	4.58	63.1	51.2	10.4	3.3	7.7	48.0	4.63	63.8	53.2	10.4	4.5	10.4
				70	51.8	4.62	67.5	56.4	11.2	1.3	3.0	53.7	4.66	69.6	60.0	11.5	3.2	7.4	54.3	4.71	70.4	62.4	11.5	4.3	10.0
				80	56.4	4.69	72.4	64.9	12.0	1.2	2.9	58.5	4.74	74.7	69.0	12.3	3.1	7.1	59.1	4.79	75.5	71.7	12.3	4.2	9.8
	90	61.0	4.77	77.3	73.4	12.8	1.2	2.7	63.3	4.82	79.7	78.0	13.1	3.0	6.9	64.0	4.87	80.6	81.1	13.1	4.2	9.6			
	11.25	2.4	5.6	50	40.6	4.50	56.0	39.9	9.0	1.4	3.3	42.2	4.55	57.7	42.4	9.3	3.5	8.0	42.6	4.60	58.3	44.1	9.3	4.8	11.0
				60	47.3	4.58	62.9	48.1	10.3	1.4	3.2	49.0	4.63	64.8	51.2	10.6	3.3	7.7	49.6	4.68	65.5	53.2	10.6	4.6	10.5
				70	53.9	4.66	69.8	56.3	11.6	1.3	3.0	55.9	4.71	72.0	59.9	11.9	3.2	7.4	56.5	4.76	72.7	62.2	11.9	4.4	10.1
				80	57.9	4.74	74.0	64.7	12.2	1.2	2.9	60.0	4.79	76.4	68.8	12.5	3.1	7.1	60.7	4.84	77.2	71.5	12.5	4.2	9.8
	90	61.8	4.82	78.3	73.1	12.8	1.2	2.7	64.1	4.87	80.8	77.7	13.2	3.0	6.9	64.8	4.92	81.6	80.8	13.2	4.1	9.5			
	15.0	4.6	10.7	50	41.5	4.55	57.1	39.4	9.1	1.4	3.3	42.3	4.60	58.0	42.4	9.2	3.5	8.0	43.8	4.64	59.7	44.0	9.4	4.7	10.8
				60	47.6	4.63	63.4	47.4	10.3	1.4	3.2	48.5	4.68	64.5	51.1	10.4	3.3	7.7	50.7	4.72	66.8	53.1	10.7	4.5	10.5
70				53.7	4.71	69.8	55.3	11.4	1.3	3.0	54.7	4.76	70.9	59.9	11.5	3.2	7.4	57.6	4.80	74.0	62.2	12.0	4.4	10.2	
80				58.3	4.79	74.6	64.2	12.2	1.2	2.9	59.7	4.84	76.2	68.7	12.3	3.1	7.1	61.7	4.89	78.4	71.4	12.6	4.3	9.8	
90	62.8	4.87	79.4	73.0	12.9	1.2	2.7	64.8	4.92	81.6	77.6	13.2	3.0	6.9	65.8	4.97	82.8	80.7	13.2	4.1	9.5				
120	7.5	0.7	1.7	50	37.0	5.04	54.2	40.3	7.3	1.4	3.3	38.5	5.09	55.9	43.2	7.6	3.5	8.0	39.3	5.14	56.8	44.7	7.6	4.7	10.9
				60	42.7	5.13	60.2	48.6	8.3	1.4	3.2	44.4	5.18	62.1	52.0	8.6	3.3	7.7	45.3	5.23	63.2	53.8	8.7	4.5	10.5
				70	48.4	5.21	66.2	56.9	9.3	1.3	3.0	50.4	5.27	68.3	60.8	9.6	3.2	7.4	51.4	5.32	69.5	62.9	9.7	4.3	10.0
				80	53.0	5.31	71.1	65.2	10.0	1.2	2.9	55.1	5.36	73.4	69.7	10.3	3.1	7.1	56.2	5.42	74.7	72.1	10.4	4.2	9.7
	90	57.5	5.40	76.0	73.5	10.6	1.2	2.7	59.9	5.46	78.5	78.6	11.0	3.0	6.9	61.1	5.51	79.9	81.3	11.1	4.1	9.4			
	11.25	2.4	5.5	50	37.2	5.09	54.6	40.3	7.3	1.4	3.3	38.8	5.14	56.3	43.1	7.5	3.5	8.0	39.6	5.19	57.3	44.6	7.6	4.8	11.1
				60	43.2	5.18	60.8	48.5	8.3	1.4	3.2	44.9	5.23	62.8	51.9	8.6	3.3	7.7	45.8	5.28	63.8	53.7	8.7	4.6	10.6
				70	49.1	5.27	67.0	56.7	9.3	1.3	3.0	51.1	5.32	69.2	60.6	9.6	3.2	7.4	52.1	5.37	70.4	62.7	9.7	4.4	10.1
				80	53.6	5.36	71.9	65.0	10.0	1.2	2.9	55.8	5.42	74.3	69.6	10.3	3.1	7.1	57.0	5.47	75.6	72.0	10.4	4.2	9.8
	90	58.2	5.46	76.9	73.4	10.7	1.2	2.7	60.6	5.51	79.4	78.5	11.0	3.0	6.9	61.8	5.57	80.9	81.3	11.1	4.1	9.5			
	15.0	4.5	10.3	50	38.5	5.14	56.0	40.0	7.5	1.4	3.3	40.1	5.19	57.8	42.9	7.7	3.5	8.0	40.8	5.25	58.7	44.5	7.8	4.7	11.0
				60	44.4	5.23	62.2	48.2	8.5	1.4	3.2	46.4	5.28	64.4	51.7	8.8	3.3	7.7	47.3	5.34	65.5	53.6	8.9	4.6	10.5
70				50.3	5.32	68.4	56.5	9.5	1.3	3.0	52.7	5.37	71.1	60.5	9.8	3.2	7.4	53.8	5.43	72.3	62.6	9.9	4.4	10.1	
80				54.9	5.42	73.4	64.9	10.1	1.2	2.9	57.5	5.47	76.2	69.5	10.5	3.1	7.1	58.6	5.53	77.5	71.9	10.6	4.2	9.8	
90	59.6	5.51	78.4	73.3	10.8	1.2	2.7	62.3	5.57	81.3	78.5	11.2	3.0	6.9	63.4	5.63	82.6	81.2	11.3	4.1	9.5				

Interpolation is permissible, extrapolation is not  
 All performance data is based upon the lower voltage of dual voltage rated units  
 See performance data notes for operation in the shaded areas. Calculation to determine  
 percentage of antifreeze required on load side.  
 Performance stated is at the rated power supply, performance may vary as the power supply  
 varies from the rated

# Performance Data — HEW060 - Heating

SOURCE				LOAD																					
EWT °F	Flow			EWT °F	Flow 7.5 GPM						Flow 11.25 GPM						Flow 15.0 GPM								
	GPM	WPD			HC Mbtuh	Power kW	HE Mbtuh	LWT °F	COP	WPD		HC Mbtuh	Power kW	HE Mbtuh	LWT °F	COP	WPD		HC Mbtuh	Power kW	HE Mbtuh	LWT °F	COP	WPD	
		PSI	FT							PSI	FT						PSI	FT						PSI	FT
20	15.0	7.3	16.9	60	41.1	2.43	32.8	71.5	5.0	1.4	3.2	41.3	2.38	33.2	67.4	5.1	3.3	7.7	41.5	2.33	33.5	65.3	5.2	6.0	13.8
				80	40.5	3.17	29.6	91.2	3.7	1.2	2.9	40.6	3.11	30.0	87.2	3.8	3.1	7.1	40.7	3.05	30.3	85.3	3.9	5.6	13.0
				100	39.7	4.11	25.6	110.8	2.8	1.1	2.6	39.7	4.03	25.9	106.9	2.9	2.9	6.7	39.7	3.95	26.2	105.1	2.9	5.3	12.3
30	7.5	1.5	3.5	60	47.8	2.52	39.2	73.3	5.6	1.4	3.2	48.0	2.47	39.6	68.6	5.7	3.3	7.7	48.3	2.42	40.0	66.3	5.8	6.0	13.8
				80	46.9	3.28	35.7	92.9	4.2	1.2	2.9	47.1	3.21	36.1	88.4	4.3	3.1	7.1	47.2	3.15	36.5	86.5	4.4	5.6	13.0
				100	45.8	4.22	31.4	112.4	3.2	1.1	2.6	45.9	4.14	31.8	108.1	3.3	2.9	6.7	45.9	4.05	32.1	105.9	3.3	5.3	12.3
				120	44.6	5.36	26.3	131.9	2.4	1.1	2.4	44.5	5.25	26.6	127.7	2.5	2.8	6.4	44.4	5.14	26.9	125.7	2.5	5.1	11.7
	11.25	4.0	9.2	60	50.0	2.56	41.3	73.6	5.7	1.4	3.2	50.3	2.51	41.7	68.9	5.9	3.3	7.7	50.5	2.46	42.1	66.6	6.0	6.0	13.8
				80	49.0	3.33	37.6	93.3	4.3	1.2	2.9	49.1	3.26	38.0	88.7	4.4	3.1	7.1	49.3	3.20	38.4	86.5	4.5	5.6	13.0
				100	47.8	4.29	33.2	112.8	3.3	1.1	2.6	47.9	4.21	33.5	108.4	3.3	2.9	6.7	47.9	4.12	33.9	106.2	3.4	5.3	12.3
				120	46.6	5.45	28.0	132.1	2.5	1.1	2.4	46.5	5.34	28.3	128.0	2.6	2.8	6.4	46.4	5.23	28.6	125.9	2.6	5.1	11.7
	15.0	6.9	15.9	60	52.0	2.61	43.1	73.9	5.8	1.4	3.2	52.2	2.55	43.5	69.1	6.0	3.3	7.7	52.5	2.50	43.9	66.8	6.1	6.0	13.8
				80	50.9	3.39	39.3	93.4	4.4	1.2	2.9	51.1	3.32	39.7	88.9	4.5	3.1	7.1	51.2	3.25	40.1	86.6	4.6	5.6	13.0
				100	49.6	4.36	34.7	112.9	3.3	1.1	2.6	49.7	4.28	35.1	108.6	3.4	2.9	6.7	49.7	4.19	35.4	106.4	3.5	5.3	12.3
				120	48.1	5.54	29.2	132.3	2.5	1.1	2.4	48.0	5.43	29.5	128.2	2.6	2.8	6.4	47.9	5.32	29.8	126.1	2.6	5.1	11.7
40	7.5	1.4	3.2	60	54.4	2.61	45.5	75.0	6.1	1.4	3.2	54.7	2.56	46.0	69.7	6.3	3.3	7.7	55.1	2.51	46.5	67.2	6.4	6.0	13.8
				80	53.4	3.38	41.8	94.6	4.6	1.2	2.9	53.6	3.31	42.3	89.6	4.7	3.1	7.1	53.8	3.25	42.7	87.0	4.9	5.6	13.0
				100	52.0	4.33	37.2	114.0	3.5	1.1	2.6	52.1	4.24	37.6	109.2	3.6	2.9	6.7	52.2	4.16	38.0	106.7	3.7	5.3	12.3
				120	50.4	5.46	31.8	133.4	2.7	1.1	2.4	50.3	5.35	32.1	128.7	2.8	2.8	6.4	50.3	5.24	32.4	126.4	2.8	5.1	11.7
	11.25	3.7	8.5	60	57.4	2.65	48.3	75.5	6.4	1.4	3.2	57.7	2.59	48.8	70.1	6.5	3.3	7.7	58.0	2.54	49.3	67.5	6.7	6.0	13.8
				80	55.9	3.42	44.2	95.1	4.8	1.2	2.9	56.1	3.36	44.7	90.0	4.9	3.1	7.1	56.4	3.29	45.1	87.4	5.0	5.6	13.0
				100	54.3	4.38	39.4	114.5	3.6	1.1	2.6	54.4	4.30	39.8	109.7	3.7	2.9	6.7	54.5	4.21	40.2	107.1	3.8	5.3	12.3
				120	52.6	5.53	33.7	133.8	2.8	1.1	2.4	52.6	5.42	34.1	129.1	2.8	2.8	6.4	52.5	5.31	34.4	126.8	2.9	5.1	11.7
	15.0	6.5	15.1	60	59.2	2.68	50.1	75.9	6.5	1.4	3.2	59.6	2.63	50.6	70.5	6.6	3.3	7.7	59.9	2.58	51.1	67.9	6.8	6.0	13.8
				80	57.8	3.47	46.0	95.3	4.9	1.2	2.9	58.0	3.40	46.4	90.3	5.0	3.1	7.1	58.3	3.33	46.9	87.6	5.1	5.6	13.0
				100	56.1	4.44	40.9	114.7	3.7	1.1	2.6	56.2	4.35	41.3	109.9	3.8	2.9	6.7	56.3	4.27	41.7	107.3	3.9	5.3	12.3
				120	54.0	5.60	34.9	134.0	2.8	1.1	2.4	54.0	5.49	35.2	129.3	2.9	2.8	6.4	54.0	5.38	35.6	127.0	2.9	5.1	11.7
50	7.5	1.3	2.9	60	61.1	2.70	51.9	76.8	6.6	1.4	3.2	61.5	2.65	52.4	70.8	6.8	3.3	7.7	61.8	2.60	53.0	68.1	7.0	6.0	13.8
				80	59.8	3.48	47.9	96.3	5.0	1.2	2.9	60.1	3.41	48.4	90.8	5.2	3.1	7.1	60.3	3.34	48.9	87.8	5.3	5.6	13.0
				100	58.2	4.43	43.0	115.6	3.8	1.1	2.6	58.3	4.34	43.5	110.4	3.9	2.9	6.7	58.5	4.26	43.9	107.5	4.0	5.3	12.3
				120	56.2	5.55	37.2	134.9	3.0	1.1	2.4	56.2	5.44	37.6	129.7	3.0	2.8	6.4	56.2	5.33	38.0	127.2	3.1	5.1	11.7
					Operation not recommended							55.2	6.16	34.2	139.8	2.6	2.7	6.2	55.1	6.03	34.5	137.2	2.7	5.0	11.5
	11.25	3.4	7.9	60	64.7	2.73	55.4	77.4	6.9	1.4	3.2	65.1	2.68	56.0	71.3	7.1	3.3	7.7	65.5	2.62	56.5	68.5	7.3	6.0	13.8
				80	62.8	3.52	50.8	96.9	5.2	1.2	2.9	63.1	3.45	51.4	91.3	5.4	3.1	7.1	63.4	3.38	51.9	88.3	5.5	5.6	13.0
				100	60.8	4.48	45.5	116.2	4.0	1.1	2.6	61.0	4.39	46.0	110.9	4.1	2.9	6.7	61.1	4.30	46.5	108.0	4.2	5.3	12.3
				120	58.6	5.61	39.4	135.4	3.1	1.1	2.4	58.6	5.50	39.8	130.2	3.1	2.8	6.4	58.6	5.39	40.2	127.7	3.2	5.1	11.7
					Operation not recommended							57.9	6.22	36.7	139.9	2.7	2.7	6.2	57.8	6.09	37.1	137.3	2.8	5.0	11.5
	15.0	6.2	14.2	60	66.5	2.76	57.1	78.0	7.1	1.4	3.2	66.9	2.70	57.7	71.9	7.3	3.3	7.7	67.3	2.65	58.3	69.0	7.4	6.0	13.8
				80	64.7	3.55	52.6	97.2	5.3	1.2	2.9	65.0	3.48	53.1	91.6	5.5	3.1	7.1	65.3	3.41	53.6	88.6	5.6	5.6	13.0
100				62.5	4.52	47.1	116.4	4.1	1.1	2.6	62.7	4.43	47.6	111.1	4.1	2.9	6.7	62.9	4.34	48.0	108.2	4.2	5.3	12.3	
120				60.0	5.67	40.6	135.6	3.1	1.1	2.4	60.0	5.55	41.0	130.5	3.2	2.8	6.4	60.0	5.44	41.4	127.9	3.2	5.1	11.7	
				Operation not recommended							58.8	6.28	37.3	140.3	2.7	2.7	6.2	58.7	6.15	37.7	137.7	2.8	5.0	11.5	

Table Continued on Next Page

Interpolation is permissible, extrapolation is not  
 All performance data is based upon the lower voltage of dual voltage rated units  
 Operation below 40°F EWT is based upon 15% methanol antifreeze solution  
 See performance data notes for operation in the shaded areas. Calculation to determine  
 percentage of antifreeze required on source side.  
 Performance stated is at the rated power supply, performance may vary as the power supply  
 varies from the rated

# Performance Data — HEW060 - Heating

Table Continued from Previous Page

SOURCE					LOAD																								
EWT °F	Flow				EWT °F	Flow 7.5 GPM						Flow 11.25 GPM						Flow 15.0 GPM											
	GPM	WPD				HC Mbtuh	Power kW	HE Mbtuh	LWT °F	COP	WPD			HC Mbtuh	Power kW	HE Mbtuh	LWT °F	COP	WPD			HC Mbtuh	Power kW	HE Mbtuh	LWT °F	COP	WPD		
		PSI	FT	PSI							FT	PSI	FT						PSI	FT	PSI						FT	PSI	FT
60	7.5	1.2	2.7	60	64.9	2.76	55.5	78.5	6.9	1.4	3.2	65.2	2.70	56.0	71.7	7.1	3.3	7.7	65.6	2.65	56.6	68.6	7.3	6.0	13.8				
				80	64.8	3.54	52.7	98.1	5.4	1.2	2.9	65.1	3.47	53.3	91.8	5.5	3.1	7.1	65.4	3.40	53.8	88.6	5.6	5.6	13.0				
				100	63.7	4.49	48.3	117.6	4.2	1.1	2.6	63.9	4.40	48.8	111.5	4.3	2.9	6.7	64.1	4.31	49.4	108.4	4.4	5.3	12.3				
				120	61.4	5.60	42.3	136.7	3.2	1.1	2.4	61.5	5.48	42.8	130.9	3.3	2.8	6.4	61.6	5.37	43.2	128.0	3.4	5.1	11.7				
				130	Operation not recommended						60.2	6.21	39.1	140.8	2.8	2.7	6.2	60.0	6.02	39.5	137.9	2.9	5.0	11.5					
	11.25	3.2	7.3	60	67.7	2.78	58.2	79.0	7.1	1.4	3.2	68.1	2.73	58.8	72.2	7.3	3.3	7.7	68.5	2.67	59.4	69.1	7.5	6.0	13.8				
				80	67.7	3.58	55.5	98.7	5.5	1.2	2.9	68.0	3.51	56.0	92.3	5.7	3.1	7.1	68.3	3.44	56.6	89.1	5.8	5.6	13.0				
				100	66.4	4.54	50.9	118.1	4.3	1.1	2.6	66.6	4.45	51.5	112.0	4.4	2.9	6.7	66.9	4.36	52.0	108.9	4.5	5.3	12.3				
				120	64.0	5.67	44.6	137.2	3.3	1.1	2.4	64.1	5.56	45.1	131.3	3.4	2.8	6.4	64.2	5.45	45.6	128.5	3.5	5.1	11.7				
				130	Operation not recommended						63.1	6.27	41.7	141.0	3.0	2.7	6.2	62.9	6.08	42.2	138.1	3.0	5.0	11.5					
	15.0	5.8	13.5	60	70.0	2.81	60.4	79.4	7.3	1.4	3.2	70.4	2.76	61.0	72.6	7.5	3.3	7.7	70.8	2.70	61.6	69.5	7.7	6.0	13.8				
				80	70.0	3.62	57.7	99.0	5.7	1.2	2.9	70.4	3.54	58.3	92.6	5.8	3.1	7.1	70.7	3.47	58.9	89.4	6.0	5.6	13.0				
				100	68.8	4.60	53.1	118.3	4.4	1.1	2.6	69.0	4.50	53.6	112.2	4.5	2.9	6.7	69.2	4.41	54.2	109.1	4.6	5.3	12.3				
				120	66.2	5.75	46.6	137.4	3.4	1.1	2.4	66.3	5.63	47.1	131.6	3.4	2.8	6.4	66.4	5.52	47.5	128.7	3.5	5.1	11.7				
				130	Operation not recommended						64.6	6.14	43.6	138.4	3.1	5.0	11.5												
70	7.5	1.1	2.5	60	68.6	2.81	59.0	80.1	7.2	1.4	3.2	69.0	2.76	59.6	72.6	7.3	3.3	7.7	69.5	2.70	60.2	69.2	7.5	6.0	13.8				
				80	69.8	3.61	57.5	100.0	5.7	1.2	2.9	70.2	3.53	58.1	92.8	5.8	3.1	7.1	70.5	3.46	58.7	89.4	6.0	5.6	13.0				
				100	69.2	4.55	53.6	119.5	4.5	1.1	2.6	69.4	4.46	54.2	112.6	4.6	2.9	6.7	69.7	4.37	54.8	109.3	4.7	5.3	12.3				
				120	66.7	5.64	47.4	138.5	3.5	1.1	2.4	66.8	5.52	47.9	132.0	3.5	2.8	6.4	66.9	5.41	48.5	128.9	3.6	5.1	11.7				
				130	Operation not recommended						65.0	6.01	44.5	138.6	3.2	5.0	11.5												
	11.25	3.0	6.9	60	70.7	2.84	61.0	80.7	7.3	1.4	3.2	71.2	2.78	61.7	73.2	7.5	3.3	7.7	71.6	2.73	62.3	69.7	7.7	6.0	13.8				
				80	72.5	3.64	60.1	100.5	5.8	1.2	2.9	72.9	3.57	60.7	93.3	6.0	3.1	7.1	73.2	3.50	61.3	89.9	6.1	5.6	13.0				
				100	72.1	4.61	56.3	119.9	4.6	1.1	2.6	72.3	4.52	56.9	113.1	4.7	2.9	6.7	72.6	4.43	57.5	109.7	4.8	5.3	12.3				
				120	69.4	5.73	49.9	139.0	3.5	1.1	2.4	69.6	5.62	50.4	132.4	3.6	2.8	6.4	69.7	5.51	50.9	129.3	3.7	5.1	11.7				
				130	Operation not recommended						68.0	6.07	47.3	138.9	3.3	5.0	11.5												
	15.0	5.5	12.8	60	73.5	2.87	63.7	80.9	7.5	1.4	3.2	73.9	2.81	64.3	73.4	7.7	3.3	7.7	74.4	2.75	65.0	70.0	7.9	6.0	13.8				
				80	75.4	3.68	62.8	100.7	6.0	1.2	2.9	75.8	3.61	63.5	93.5	6.2	3.1	7.1	76.2	3.53	64.1	90.1	6.3	5.6	13.0				
				100	75.1	4.67	59.1	120.2	4.7	1.1	2.6	75.3	4.57	59.7	113.3	4.8	2.9	6.7	75.6	4.48	60.3	109.9	4.9	5.3	12.3				
				120	72.5	5.83	52.6	139.2	3.6	1.1	2.4	72.6	5.71	53.1	132.7	3.7	2.8	6.4	72.7	5.60	53.6	129.5	3.8	5.1	11.7				
				130	Operation not recommended						70.4	6.13	49.5	139.2	3.4	5.0	11.5												
80	7.5	1.0	2.3	60	72.4	2.87	62.6	81.7	7.4	1.4	3.2	72.8	2.81	63.2	73.5	7.6	3.3	7.7	73.3	2.75	63.9	69.8	7.8	6.0	13.8				
				80	74.8	3.67	62.3	101.8	6.0	1.2	2.9	75.2	3.60	62.9	93.9	6.1	3.1	7.1	75.6	3.52	63.6	90.2	6.3	5.6	13.0				
				100	74.7	4.61	58.9	121.4	4.8	1.1	2.6	75.0	4.51	59.6	113.8	4.9	2.9	6.7	75.3	4.42	60.2	110.2	5.0	5.3	12.3				
				120	71.9	5.68	52.5	140.4	3.7	1.1	2.4	72.1	5.56	53.1	133.2	3.8	2.8	6.4	72.3	5.45	53.7	129.8	3.9	5.1	11.7				
				130	Operation not recommended						69.9	6.00	49.4	139.4	3.4	5.0	11.5												
	11.25	2.8	6.5	60	73.7	2.89	63.9	82.3	7.5	1.4	3.2	74.2	2.84	64.5	74.1	7.7	3.3	7.7	74.7	2.78	65.2	70.3	7.9	6.0	13.8				
				80	77.3	3.71	64.7	102.3	6.1	1.2	2.9	77.7	3.63	65.3	94.3	6.3	3.1	7.1	78.2	3.56	66.0	90.6	6.4	5.6	13.0				
				100	77.7	4.67	61.8	121.8	4.9	1.1	2.6	78.0	4.58	62.4	114.2	5.0	2.9	6.7	78.4	4.49	63.0	110.6	5.1	5.3	12.3				
				120	74.8	5.79	55.1	140.7	3.8	1.1	2.4	75.0	5.68	55.7	133.5	3.9	2.8	6.4	75.2	5.56	56.2	130.1	4.0	5.1	11.7				
				130	Operation not recommended						73.1	6.06	52.4	139.7	3.5	5.0	11.5												
	15.0	5.3	12.1	60	76.9	2.92	67.0	82.4	7.7	1.4	3.2	77.4	2.87	67.6	74.2	7.9	3.3	7.7	77.9	2.81	68.3	70.4	8.1	6.0	13.8				
				80	80.7	3.74	68.0	102.5	6.3	1.2	2.9	81.2	3.67	68.7	94.5	6.5	3.1	7.1	81.6	3.60	69.3	90.8	6.7	5.6	13.0				
				100	81.3	4.74	65.2	122.0	5.0	1.1	2.6	81.7	4.64	65.8	114.4	5.2	2.9	6.7	82.0	4.55	66.5	110.8	5.3	5.3	12.3				
				120	78.7	5.91	58.5	141.0	3.9	1.1	2.4	78.9	5.79	59.1	133.8	4.0	2.8	6.4	79.1	5.68	59.7	130.4	4.1	5.1	11.7				
				130	Operation not recommended						76.3	6.12	55.4	139.9	3.6	5.0	11.5												

Interpolation is permissible, extrapolation is not  
 All performance data is based upon the lower voltage of dual voltage rated units  
 Operation below 40°F EWT is based upon 15% methanol antifreeze solution  
 See performance data notes for operation in the shaded areas. Calculation to determine percentage of antifreeze required on source side.  
 Performance stated is at the rated power supply, performance may vary as the power supply varies from the rated

# Performance Data — HEW120 - Cooling

SOURCE				LOAD																								
EWT °F	Flow			EWT °F	Flow 15.0 GPM								Flow 22.5 GPM								Flow 30.0 GPM							
	GPM	WPD			TC Mbtuh	Power kW	HR Mbtuh	LWT °F	EER	WPD		TC Mbtuh	Power kW	HR Mbtuh	LWT °F	EER	WPD		TC Mbtuh	Power kW	HR Mbtuh	LWT °F	EER	WPD				
		PSI	FT							PSI	FT						PSI	FT						PSI	FT	PSI	FT	
50	15.0	1.4	3.2	50	105.2	4.41	120.3	38.2	23.9	1.6	3.7	106.9	4.45	122.1	41.0	24.0	3.8	8.8	110.7	4.50	126.0	42.5	24.6	6.8	15.7			
				60	106.4	4.45	121.6	47.1	23.9	1.5	3.5	108.1	4.49	123.4	50.5	24.1	3.7	8.4	111.9	4.54	127.4	52.4	24.7	6.6	15.2			
				70	107.6	4.48	122.9	56.0	24.0	1.4	3.3	109.3	4.53	124.8	60.0	24.1	3.5	8.1	113.1	4.57	128.7	62.2	24.7	6.4	14.7			
				80	111.0	4.49	126.3	64.7	24.7	1.4	3.2	112.8	4.53	128.3	69.4	24.9	3.4	7.9	116.7	4.58	132.4	72.0	25.5	6.2	14.3			
	22.5	3.8	8.7	50	106.8	4.45	122.0	38.0	24.0	1.6	3.7	108.3	4.50	123.6	40.8	24.1	3.8	8.8	112.1	4.54	127.6	42.3	24.7	6.8	15.9			
				60	110.9	4.49	126.2	46.7	24.7	1.5	3.5	112.5	4.54	128.0	50.1	24.8	3.7	8.4	116.4	4.58	132.0	52.0	25.4	6.6	15.2			
				70	115.1	4.53	130.5	55.4	25.4	1.4	3.3	116.7	4.57	132.3	59.4	25.5	3.5	8.1	120.8	4.62	136.5	61.6	26.1	6.4	14.7			
				80	116.1	4.53	131.6	64.3	25.6	1.4	3.2	117.7	4.58	133.4	69.0	25.7	3.4	7.9	121.9	4.62	137.6	71.5	26.4	6.2	14.3			
	30.0	6.8	15.6	50	111.1	4.50	126.5	35.8	24.7	1.6	3.7	113.0	4.54	128.5	40.3	24.9	3.8	8.8	115.9	4.59	131.5	42.1	25.2	6.8	15.7			
				60	114.9	4.54	130.4	45.0	25.3	1.5	3.5	117.5	4.58	133.1	49.8	25.6	3.7	8.4	120.0	4.63	135.8	51.5	26.6	6.6	15.2			
				70	118.8	4.57	134.4	54.1	26.0	1.4	3.3	122.0	4.62	137.8	59.3	26.4	3.5	8.1	130.2	4.67	146.1	60.9	27.9	6.4	14.7			
				80	120.7	4.58	136.3	63.5	26.4	1.4	3.2	123.6	4.62	139.4	68.7	26.7	3.4	7.9	131.7	4.67	147.6	70.8	28.2	6.2	14.3			
70	15.0	1.2	2.7	50	98.2	5.64	117.5	38.1	17.4	1.6	3.7	100.6	5.70	120.1	41.1	17.7	3.8	8.8	104.0	5.76	123.7	42.9	18.1	6.8	15.7			
				60	106.3	5.68	125.7	46.4	18.7	1.5	3.5	109.0	5.74	128.6	50.0	19.0	3.7	8.4	112.6	5.79	132.4	52.3	19.4	6.6	15.2			
				70	114.4	5.71	133.9	54.8	20.0	1.4	3.3	117.3	5.77	137.0	59.1	20.3	3.5	8.1	121.3	5.83	141.2	61.7	20.8	6.4	14.7			
				80	118.7	5.83	138.6	63.4	20.3	1.4	3.2	121.7	5.89	141.8	68.3	20.6	3.4	7.9	125.7	5.95	146.1	71.4	21.1	6.2	14.3			
	22.5	3.3	7.6	50	100.3	5.70	119.8	38.0	17.6	1.6	3.7	102.0	5.76	122.4	41.0	17.8	3.8	8.8	106.2	5.82	126.0	42.8	18.3	6.8	15.7			
				60	109.1	5.74	128.7	46.2	19.0	1.5	3.5	111.7	5.79	131.5	49.8	19.3	3.7	8.4	115.5	5.85	135.4	52.1	19.7	6.6	15.2			
				70	117.9	5.77	137.6	54.5	20.4	1.4	3.3	120.7	5.83	140.6	58.8	20.7	3.5	8.1	124.8	5.89	144.9	61.4	21.2	6.4	14.7			
				80	121.6	5.89	141.7	63.1	20.6	1.4	3.2	124.5	5.95	144.9	68.1	20.9	3.4	7.9	128.7	6.01	149.2	71.1	21.4	6.2	14.3			
	30.0	6.1	14.1	50	102.4	5.76	122.0	36.9	17.8	1.6	3.7	106.6	5.82	126.4	40.8	18.3	3.8	8.8	108.5	5.88	128.6	42.6	18.5	6.8	15.7			
				60	111.3	5.79	131.1	45.4	19.2	1.5	3.5	115.2	5.85	135.2	49.6	19.7	3.7	8.4	118.8	5.91	138.9	51.8	20.1	6.6	15.2			
				70	120.2	5.83	140.1	53.9	20.6	1.4	3.3	123.9	5.89	144.0	58.5	21.0	3.5	8.1	129.0	5.95	149.3	61.1	21.7	6.4	14.7			
				80	124.7	5.95	145.0	62.7	20.9	1.4	3.2	128.3	6.01	148.8	67.8	21.3	3.4	7.9	134.3	6.07	155.0	70.6	22.1	6.2	14.3			
80	15.0	1.1	2.5	50	94.7	6.26	116.1	38.0	15.1	1.6	3.7	97.5	6.33	119.1	41.1	15.4	3.8	8.8	100.7	6.39	122.5	43.1	15.8	6.8	15.7			
				60	106.3	6.30	127.8	46.1	16.9	1.5	3.5	109.4	6.36	131.1	49.8	17.2	3.7	8.4	113.0	6.42	134.9	52.3	17.6	6.6	15.2			
				70	117.9	6.33	139.5	54.2	18.6	1.4	3.3	121.4	6.39	143.2	58.6	19.0	3.5	8.1	125.3	6.46	147.4	61.5	19.4	6.4	14.7			
				80	122.5	6.51	144.7	62.7	18.8	1.4	3.2	126.1	6.57	148.6	67.8	19.2	3.4	7.9	130.3	6.64	152.9	71.1	19.6	6.2	14.3			
	22.5	3.1	7.1	50	97.1	6.33	118.7	38.0	15.3	1.6	3.7	99.9	6.39	121.7	41.1	15.6	3.8	8.8	103.2	6.45	125.2	43.0	16.0	6.8	15.7			
				60	108.2	6.36	129.9	46.0	17.0	1.5	3.5	111.4	6.42	133.3	49.7	17.3	3.7	8.4	115.0	6.49	137.1	52.2	17.7	6.6	15.2			
				70	119.3	6.39	141.1	54.0	18.7	1.4	3.3	122.8	6.46	144.8	58.4	19.0	3.5	8.1	126.8	6.52	149.1	61.3	19.4	6.4	14.7			
				80	124.3	6.57	146.7	62.5	18.9	1.4	3.2	127.9	6.64	150.6	67.6	19.3	3.4	7.9	132.1	6.71	155.0	70.9	19.7	6.2	14.3			
	30.0	5.8	13.4	50	129.3	6.75	152.3	71.0	19.1	1.3	3.0	133.1	6.82	156.4	76.8	19.5	3.3	7.6	137.5	6.89	161.0	80.6	19.9	6.0	13.9			
				60	98.0	6.39	119.8	37.4	15.3	1.6	3.7	103.4	6.45	125.4	41.0	16.0	3.8	8.8	104.8	6.52	127.1	42.9	16.1	6.8	15.7			
				70	109.5	6.42	131.4	45.6	17.0	1.5	3.5	114.1	6.49	136.3	49.5	17.6	3.7	8.4	116.6	6.55	139.0	52.0	17.8	6.6	15.2			
				80	120.9	6.46	143.0	53.8	18.7	1.4	3.3	124.8	6.52	147.1	58.1	19.1	3.5	8.1	128.4	6.59	150.9	61.1	19.5	6.4	14.7			
90	15.0	1.0	2.3	50	89.7	7.15	114.1	38.7	12.5	1.6	3.7	92.5	7.22	117.2	41.6	12.8	3.8	8.8	95.0	7.29	119.8	43.4	13.0	6.8	15.7			
				60	101.4	7.22	126.0	46.8	14.0	1.5	3.5	104.6	7.30	129.5	50.3	14.3	3.7	8.4	107.4	7.37	132.5	52.6	14.6	6.6	15.2			
				70	113.1	7.30	138.0	54.9	15.5	1.4	3.3	116.7	7.37	141.9	59.1	15.8	3.5	8.1	119.8	7.45	145.2	61.8	16.1	6.4	14.7			
				80	119.3	7.47	144.8	63.4	16.0	1.4	3.2	123.1	7.54	148.8	68.2	16.3	3.4	7.9	126.3	7.62	152.3	71.3	16.6	6.2	14.3			
	22.5	2.9	6.7	50	91.8	7.22	116.4	38.6	12.7	1.6	3.7	94.7	7.29	119.6	41.5	13.0	3.8	8.8	97.2	7.37	122.4	43.4	13.2	6.8	15.7			
				60	103.6	7.30	128.5	46.7	14.2	1.5	3.5	106.9	7.37	132.1	50.2	14.5	3.7	8.4	109.7	7.44	135.1	52.5	14.7	6.6	15.2			
				70	115.4	7.37	140.6	54.8	15.7	1.4	3.3	119.1	7.45	144.5	58.9	16.0	3.5	8.1	122.2	7.52	147.9	61.6	16.2	6.4	14.7			
				80	121.4	7.54	147.2	63.2	16.1	1.4	3.2	125.3	7.62	151.3	68.0	16.4	3.4	7.9	128.5	7.70	154.8	71.1	16.7	6.2	14.3			
	30.0	5.5	12.7	50	127.4	7.72	153.7	71.7	16.5	1.3	3.0	131.5	7.80	158.1	77.1	16.9	3.3	7.6	134.9	7.87	161.7	80.6	17.1	6.0	13.9			
				60	93.0	7.29	117.9	38.1	12.8	1.6	3.7	97.2	7.37	122.3	41.4	13.2	3.8	8.8	99.1	7.44	124.5	43.3	13.3	6.8	15.7			
				70	104.7	7.37	129.9	46.2	14.2	1.5	3.5	108.4	7.44	133.8	50.1	14.6	3.7	8.4	111.6	7.52	137.2	52.4	14.8	6.6	15.2			
				80	116.4	7.45	141.8	54.3	15.6	1.4	3.3	119.7	7.52	145.3	58.7	15.9	3.5	8.1	124.0	7.60	149.9	61.5	16.3	6.4	14.7			
30.0	5.5	12.7	50	123.3	7.62	149.3	62.9	16.2	1.4	3.2	126.9	7.70	153.1	73.8	16.5	3.4	7.9	131.5	7.78	158.0	70.8	16.9	6.2	14.3				
			60	130.2	7.80	156.8	71.6	16.7	1.3	3.0	134.1	7.87	160.9	77.0	17.0	3.3	7.6	139.0										

# Performance Data — HEW120 - Cooling

Table Continued from Previous Page

SOURCE				LOAD																					
EWT °F	Flow			EWT °F	Flow 15.0 GPM						Flow 22.5 GPM						Flow 30.0 GPM								
	GPM	WPD			TC Mbtuh	Power kW	HR Mbtuh	LWT °F	EER	WPD		TC Mbtuh	Power kW	HR Mbtuh	LWT °F	EER	WPD		TC Mbtuh	Power kW	HR Mbtuh	LWT °F	EER	WPD	
		PSI	FT							PSI	FT						PSI	FT						PSI	FT
110	15.0	0.8	2.0	50	79.6	8.92	110.0	39.9	8.9	1.6	3.7	82.6	9.01	113.3	42.5	9.2	3.8	8.8	83.5	9.10	114.5	44.1	9.2	6.8	15.7
				60	91.6	9.08	122.6	48.2	10.1	1.5	3.5	95.0	9.17	126.3	51.2	10.4	3.7	8.4	96.1	9.26	127.6	53.2	10.4	6.6	15.2
				70	103.6	9.23	135.1	56.4	11.2	1.4	3.3	107.4	9.32	139.3	60.0	11.5	3.5	8.1	108.6	9.42	140.8	62.4	11.5	6.4	14.7
				80	112.8	9.39	144.8	64.9	12.0	1.4	3.2	117.0	9.48	149.4	69.0	12.3	3.4	7.9	118.3	9.58	151.0	71.7	12.3	6.2	14.3
				90	122.0	9.55	154.6	73.4	12.8	1.3	3.0	126.6	9.64	159.5	78.0	13.1	3.3	7.6	128.0	9.74	161.2	81.1	13.1	6.0	13.9
	22.5	2.7	6.2	50	81.3	9.01	112.0	39.9	9.0	1.6	3.7	84.3	9.10	115.4	42.4	9.3	3.8	8.8	85.2	9.19	116.6	44.1	9.3	6.8	15.7
				60	94.5	9.17	125.8	48.1	10.3	1.5	3.5	98.0	9.26	129.6	51.2	10.6	3.7	8.4	99.1	9.35	131.0	53.2	10.6	6.6	15.2
				70	107.8	9.32	139.6	56.3	11.6	1.4	3.3	111.8	9.42	143.9	59.9	11.9	3.5	8.1	113.0	9.51	145.5	62.2	11.9	6.4	14.7
				80	115.7	9.48	148.1	64.7	12.2	1.4	3.2	120.0	9.58	152.7	68.8	12.5	3.4	7.9	121.3	9.68	154.4	71.5	12.5	6.2	14.3
				90	123.7	9.64	156.6	73.1	12.8	1.3	3.0	128.3	9.74	161.5	77.7	13.2	3.3	7.6	129.7	9.84	163.3	80.8	13.2	6.0	13.9
	30.0	5.1	11.7	50	83.1	9.10	114.1	39.4	9.1	1.6	3.7	84.7	9.19	116.1	42.4	9.2	3.8	8.8	87.6	9.28	119.3	44.0	9.4	6.8	15.7
				60	95.2	9.26	126.8	47.4	10.3	1.5	3.5	97.0	9.35	128.9	51.1	10.4	3.7	8.4	101.4	9.45	133.7	53.1	10.7	6.6	15.2
				70	107.4	9.42	139.5	55.3	11.4	1.4	3.3	109.3	9.51	141.8	59.9	11.5	3.5	8.1	115.2	9.61	148.0	62.2	12.0	6.4	14.7
				80	116.5	9.58	149.2	64.2	12.2	1.4	3.2	119.5	9.68	152.5	68.7	12.3	3.4	7.9	123.4	9.77	156.8	71.4	12.6	6.2	14.3
				90	125.6	9.74	158.9	73.0	12.9	1.3	3.0	129.6	9.84	163.1	77.6	13.2	3.3	7.6	131.7	9.94	165.6	80.7	13.2	6.0	13.9
120	15.0	0.8	1.8	50	74.0	10.08	108.4	40.3	7.3	1.6	3.7	77.0	10.18	111.8	43.2	7.6	3.8	8.8	78.6	10.28	113.7	44.7	7.6	6.8	15.7
				60	85.4	10.25	120.4	48.6	8.3	1.5	3.5	88.9	10.36	124.2	52.0	8.6	3.7	8.4	90.7	10.46	126.4	53.8	8.7	6.6	15.2
				70	96.8	10.42	132.4	56.9	9.3	1.4	3.3	100.8	10.53	136.7	60.8	9.6	3.5	8.1	102.8	10.64	139.1	62.9	9.7	6.4	14.7
				80	105.9	10.62	142.1	65.2	10.0	1.4	3.2	110.2	10.72	146.8	69.7	10.3	3.4	7.9	112.5	10.83	149.4	72.1	10.4	6.2	14.3
				90	115.1	10.81	151.9	73.5	10.6	1.3	3.0	119.7	10.92	157.0	78.6	11.0	3.3	7.6	122.2	11.03	159.8	81.3	11.1	6.0	13.9
	22.5	2.6	6.0	50	74.5	10.18	109.2	40.3	7.3	1.6	3.7	77.5	10.28	112.6	43.1	7.5	3.8	8.8	79.1	10.39	114.6	44.6	7.6	6.8	15.7
				60	86.3	10.36	121.6	48.5	8.3	1.5	3.5	89.8	10.46	125.5	51.9	8.6	3.7	8.4	91.6	10.57	127.7	53.7	8.7	6.6	15.2
				70	98.1	10.53	134.0	56.7	9.3	1.4	3.3	102.1	10.64	138.4	60.6	9.6	3.5	8.1	104.2	10.74	140.8	62.7	9.7	6.4	14.7
				80	107.3	10.72	143.9	65.0	10.0	1.4	3.2	111.7	10.83	148.6	69.6	10.3	3.4	7.9	113.9	10.94	151.3	72.0	10.4	6.2	14.3
				90	116.5	10.92	153.7	73.4	10.7	1.3	3.0	121.2	11.03	158.9	78.5	11.0	3.3	7.6	123.7	11.14	161.7	81.3	11.1	6.0	13.9
	30.0	4.9	11.3	50	76.9	10.28	112.0	40.0	7.5	1.6	3.7	80.2	10.39	115.7	42.9	7.7	3.8	8.8	81.7	10.49	117.5	44.5	7.8	6.8	15.7
				60	88.8	10.46	124.4	48.2	8.5	1.5	3.5	92.8	10.57	128.9	51.7	8.8	3.7	8.4	94.6	10.67	131.0	53.6	8.9	6.6	15.2
				70	100.6	10.64	136.9	56.5	9.5	1.4	3.3	105.5	10.74	142.1	60.5	9.8	3.5	8.1	107.6	10.85	144.6	62.6	9.9	6.4	14.7
				80	109.9	10.83	146.8	64.9	10.1	1.4	3.2	115.1	10.94	152.4	69.5	10.5	3.4	7.9	117.2	11.05	154.9	71.9	10.6	6.2	14.3
				90	119.2	11.03	156.8	73.3	10.8	1.3	3.0	124.7	11.14	162.7	78.5	11.2	3.3	7.6	126.9	11.25	165.3	81.2	11.3	6.0	13.9

Interpolation is permissible, extrapolation is not  
 All performance data is based upon the lower voltage of dual voltage rated units  
 See performance data notes for operation in the shaded areas. Calculation to determine percentage of antifreeze required on load side.  
 Performance stated is at the rated power supply, performance may vary as the power supply varies from the rated

## Physical Data

Model	036	060	120
Compressor (qty)	Scroll (1)		Scroll (2)
Factory Charge HFC-410A (oz) [kg] Per Circuit	50 [1.41]	68 [1.93]	68 [1.93]
<b>Water Connection Size</b>			
Source/Load	1" Swivel		1-1/2 FPT
HWG (in)	1" Swivel		1/2" FPT
<b>Weight</b>			
Weight - Operating (lbs) [kg]	295 [134]	268 [122]	541 [245]
Weight - Packaged (lbs) [kg]	320 [145]	293 [133]	585 [265]
<b>Water Volume (Source)</b>			
Gallons (Liters)	0.56 [2.1]	0.7 [2.7]	1.4 [5.3]

Unit Maximum Water Working Pressure PSIG (kPa)	
Unit	145 [100]
Maximum Water Flow Through Unit GAL (L)	
036	25 [94.6]
060, 120	35 [132.5]

Note: During flushing or operation

Dual isolated compressor mounting  
 Balanced port expansion valve (TXV)  
 Insulated Source and Load Water Coils standard  
 Insulated Refrigerant Circuit standard  
 Compressor on (green) and fault (red) light

# Performance Data — HEW120 - Heating

SOURCE					LOAD																								
EWT °F	Flow				EWT °F	Flow 15.0 GPM								Flow 22.5 GPM								Flow 30.0 GPM							
	GPM	WPD		FT		HC Mbtuh	Power kW	HE Mbtuh	LWT °F	COP	WPD		HC Mbtuh	Power kW	HE Mbtuh	LWT °F	COP	WPD		HC Mbtuh	Power kW	HE Mbtuh	LWT °F	COP	WPD				
		PSI	FT								PSI	FT						PSI	FT						PSI	FT	PSI	FT	
20	30.0	8.0	18.6	60	82.2	4.86	65.6	71.5	5.0	1.5	3.5	82.6	4.76	66.3	67.4	5.1	3.3	7.7	82.9	4.67	67.0	65.3	5.2	6.0	13.8				
				80	80.9	6.34	59.3	91.2	3.7	1.4	3.2	81.1	6.22	59.9	87.2	3.8	3.1	7.1	81.3	6.09	60.5	85.3	3.9	5.6	13.0				
				100	79.3	8.23	51.3	110.8	2.8	1.3	2.9	79.3	8.06	51.8	106.9	2.9	2.9	6.7	79.3	7.90	52.4	105.1	2.9	5.3	12.3				
				120	79.3	8.23	51.3	110.8	2.8	1.3	2.9	79.3	8.06	51.8	106.9	2.9	2.9	6.7	79.3	7.90	52.4	105.1	2.9	5.3	12.3				
	30	15.0	1.7	3.9	60	95.6	5.04	78.4	73.3	5.6	1.5	3.5	96.0	4.94	79.2	68.6	5.7	3.3	7.7	96.5	4.84	80.0	66.3	5.8	6.0	13.8			
					80	93.8	6.55	71.5	92.9	4.2	1.4	3.2	94.1	6.42	72.2	88.4	4.3	3.1	7.1	94.4	6.29	73.0	86.1	4.4	5.6	13.0			
					100	91.7	8.44	62.9	112.4	3.2	1.3	2.9	91.8	8.27	63.5	108.1	3.3	2.9	6.7	91.9	8.11	64.2	105.9	3.3	5.3	12.3			
					120	89.1	10.71	52.6	131.9	2.4	1.2	2.7	89.0	10.50	53.2	127.7	2.5	2.8	6.4	88.8	10.29	53.7	125.7	2.5	5.1	11.7			
		30	22.5	4.4	10.1	60	100.0	5.13	82.5	73.6	5.7	1.5	3.5	100.5	5.02	83.4	68.9	5.9	3.3	7.7	101.0	4.92	84.2	66.6	6.0	6.0	13.8		
						80	97.9	6.66	75.2	93.3	4.3	1.4	3.2	98.3	6.53	76.0	88.7	4.4	3.1	7.1	98.6	6.40	76.8	86.5	4.5	5.6	13.0		
						100	95.7	8.58	66.4	112.8	3.3	1.3	2.9	95.8	8.41	67.1	108.4	3.3	2.9	6.7	95.9	8.24	67.8	106.2	3.4	5.3	12.3		
						120	93.2	10.89	56.0	132.1	2.5	1.2	2.7	93.0	10.67	56.6	128.0	2.6	2.8	6.4	92.9	10.46	57.2	125.9	2.6	5.1	11.7		
30			30.0	7.6	17.5	60	103.9	5.21	86.1	73.9	5.8	1.5	3.5	104.4	5.11	87.0	69.1	6.0	3.3	7.7	105.0	5.01	87.9	66.8	6.1	6.0	13.8		
						80	101.8	6.77	78.7	93.4	4.4	1.4	3.2	102.1	6.64	79.5	88.9	4.5	3.1	7.1	102.5	6.50	80.3	86.6	4.6	5.6	13.0		
						100	99.2	8.73	69.4	112.9	3.3	1.3	2.9	99.3	8.55	70.1	108.6	3.4	2.9	6.7	99.4	8.38	70.8	106.4	3.5	5.3	12.3		
						120	96.1	11.08	58.3	132.3	2.5	1.2	2.7	95.9	10.85	58.9	128.2	2.6	2.8	6.4	95.8	10.64	59.5	126.1	2.6	5.1	11.7		
	40		15.0	1.5	3.5	60	108.9	5.22	91.1	75.0	6.1	1.5	3.5	109.5	5.12	92.0	69.7	6.3	3.3	7.7	110.1	5.02	93.0	67.2	6.4	6.0	13.8		
						80	106.7	6.76	83.6	94.6	4.6	1.4	3.2	107.1	6.62	84.5	89.6	4.7	3.1	7.1	107.6	6.49	85.4	87.0	4.9	5.6	13.0		
						100	104.0	8.65	74.5	114.0	3.5	1.3	2.9	104.2	8.48	75.3	109.2	3.6	2.9	6.7	104.4	8.31	76.1	106.7	3.7	5.3	12.3		
						120	100.7	10.91	63.5	133.4	2.7	1.2	2.7	100.7	10.69	64.2	128.7	2.8	2.8	6.4	100.6	10.48	64.9	126.4	2.8	5.1	11.7		
		40	22.5	4.1	9.3	60	114.7	5.29	96.7	75.5	6.4	1.5	3.5	115.4	5.19	97.7	71.1	6.5	3.3	7.7	116.0	5.08	98.7	67.5	6.7	6.0	13.8		
						80	111.8	6.85	88.5	95.1	4.8	1.4	3.2	112.3	6.71	89.4	90.0	4.9	3.1	7.1	112.7	6.58	90.3	87.4	5.0	5.6	13.0		
						100	108.6	8.77	78.7	114.5	3.6	1.3	2.9	108.8	8.59	79.5	109.7	3.7	2.9	6.7	109.1	8.42	80.3	107.1	3.8	5.3	12.3		
						120	105.2	11.06	67.4	133.8	2.8	1.2	2.7	105.1	10.84	68.1	129.1	2.8	2.8	6.4	105.1	10.62	68.8	126.8	2.9	5.1	11.7		
40			30.0	7.2	16.6	60	118.5	5.36	100.2	75.9	6.5	1.5	3.5	119.1	5.26	101.2	70.5	6.6	3.3	7.7	119.8	5.15	102.2	67.9	6.8	6.0	13.8		
						80	115.6	6.94	91.9	95.3	4.9	1.4	3.2	116.1	6.80	92.8	90.3	5.0	3.1	7.1	116.5	6.67	93.8	87.6	5.1	5.6	13.0		
						100	112.1	8.89	81.8	114.7	3.7	1.3	2.9	112.3	8.71	82.6	109.9	3.8	2.9	6.7	112.6	8.54	83.5	107.3	3.9	5.3	12.3		
						120	108.0	11.21	69.8	134.0	2.8	1.2	2.7	108.0	10.98	70.5	129.3	2.9	2.8	6.4	107.9	10.76	71.2	127.0	2.9	5.1	11.7		
	50		15.0	1.4	3.2	60	122.2	5.40	103.8	76.8	6.6	1.5	3.5	122.9	5.30	104.9	70.8	6.8	3.3	7.7	123.7	5.19	106.0	68.1	7.0	6.0	13.8		
						80	119.6	6.97	95.8	96.3	5.0	1.4	3.2	120.1	6.83	96.8	90.8	5.2	3.1	7.1	120.7	6.69	97.9	87.8	5.3	5.6	13.0		
						100	116.3	8.87	86.1	115.6	3.8	1.3	2.9	116.6	8.69	87.0	110.4	3.9	2.9	6.7	117.0	8.52	87.9	107.5	4.0	5.3	12.3		
						120	112.3	11.11	74.4	134.9	3.0	1.2	2.7	112.4	10.89	75.2	129.7	3.0	2.8	6.4	112.5	10.67	76.1	127.2	3.1	5.1	11.7		
		50	22.5	3.8	8.7	60	129.4	5.46	110.8	77.4	6.9	1.5	3.5	130.2	5.35	111.9	71.3	7.1	3.3	7.7	131.0	5.24	113.1	68.5	7.3	6.0	13.8		
						80	125.7	7.04	101.7	96.9	5.2	1.4	3.2	126.3	6.90	102.7	91.3	5.4	3.1	7.1	126.8	6.76	103.8	88.3	5.5	5.6	13.0		
						100	121.6	8.96	91.0	116.2	4.0	1.3	2.9	121.9	8.78	92.0	110.9	4.1	2.9	6.7	122.3	8.60	92.9	108.0	4.2	5.3	12.3		
						120	117.2	11.22	78.9	135.4	3.1	1.2	2.7	117.2	11.00	79.7	130.2	3.1	2.8	6.4	117.3	10.78	80.5	127.7	3.2	5.1	11.7		
50			30.0	6.8	15.6	60	133.0	5.51	114.2	78.0	7.1	1.5	3.5	133.8	5.40	115.3	71.9	7.3	3.3	7.7	134.6	5.30	116.5	69.0	7.4	6.0	13.8		
						80	129.4	7.11	105.1	97.2	5.3	1.4	3.2	130.0	6.97	106.2	91.6	5.5	3.1	7.1	130.6	6.83	107.3	88.6	5.6	5.6	13.0		
						100	125.0	9.05	94.2	116.4	4.1	1.3	2.9	125.4	8.87	95.1	111.1	4.1	2.9	6.7	125.7	8.69	96.1	106.2	4.2	5.3	12.3		
						120	119.9	11.34	81.2	135.6	3.1	1.2	2.7	120.0	11.11	82.1	130.5	3.2	2.8	6.4	120.0	10.89	82.9	127.9	3.2	5.1	11.7		
	60		15.0	1.3	3.0	60	129.7	5.51	110.9	78.5	6.9	1.5	3.5	130.5	5.40	112.1	71.7	7.1	3.3	7.7	131.3	5.30	113.2	68.6	7.3	6.0	13.8		
						80	129.6	7.09	105.4	98.1	5.4	1.4	3.2	130.2	6.95	106.5	91.8	5.5	3.1	7.1	130.9	6.81	107.6	88.6	5.6	5.6	13.0		
						100	127.3	8.98	96.7	117.6	4.2	1.3	2.9	127.7	8.80	97.7	111.5	4.3	2.9	6.7	128.2	8.63	98.7	108.4	4.4	5.3	12.3		
						120	122.8	11.19	84.7	136.7	3.2	1.2	2.7	123.0	10.97	85.6	130.9	3.3	2.8	6.4	123.2	10.75	86.5	128.0	3.4	5.1	11.7		
		60	22.5	3.5	8.1	60	135.5	5.57	116.4	79.0	7.1	1.5	3.5	136.3	5.46	117.6	72.2	7.3	3.3	7.7	137.1	5.35	118.8	69.1	7.5	6.0	13.8		
						80	135.3	7.16	110.9	98.7	5.5	1.4	3.2	136.0	7.02	112.1	92.3	5.7	3.1	7.1	136.7	6.88	113.2	89.1	5.8	5.6	13.0		
						100	132.9	9.09	101.9	118.1	4.3	1.3	2.9	133.3	8.90	102.9	112.0	4.4	2.9	6.7	133.7	8.73	104.0	108.9	4.5	5.3	12.3		
						120	128.0	11.34	89.3	137.2	3.3	1.2	2.7	128.2	11.12	90.2	131.3	3.4	2.8	6.4	128.3	10.89	91.2	128.5	3.5	5.1	11.7		
60			30.0	6.4	14.8	60	140.0	5.63	120.8	79.4	7.3	1.5	3.5	140.8	5.51	122.0	72.6	7.5	3.3	7.7	141.7	5.40	123.2	69.5	7.7	6.0	13.8		
						80	140.1	7.23	115.4	99.0	5.7	1.4	3.2	140.8	7.09	116.6	92.6	5.8	3.1	7.1	141.5	6.95							

# Performance Data — HEW120 - Heating

Table Continued from Previous Page

SOURCE				LOAD																					
EWT °F	Flow			EWT °F	Flow 15.0 GPM						Flow 22.5 GPM						Flow 30.0 GPM								
	GPM	WPD			HC Mbtuh	Power kW	HE Mbtuh	LWT °F	COP	WPD	HC Mbtuh	Power kW	HE Mbtuh	LWT °F	COP	WPD	HC Mbtuh	Power kW	HE Mbtuh	LWT °F	COP	WPD			
	PSI	FT																							
70	15.0	1.2	2.7	60	137.2	5.62	118.0	80.1	7.2	1.5	3.5	138.1	5.51	119.3	72.6	7.3	3.3	7.7	138.9	5.40	120.5	69.2	7.5	6.0	13.8
				80	139.6	7.21	115.0	100.0	5.7	1.4	3.2	140.3	7.07	116.2	92.8	5.8	3.1	7.1	141.1	6.93	117.4	89.4	6.0	5.6	13.0
				100	138.3	9.01	107.3	119.5	4.5	1.3	2.9	138.8	8.92	108.4	112.6	4.6	2.9	6.7	139.4	8.74	109.6	109.3	4.7	5.3	12.3
				120	133.3	11.27	94.9	138.5	3.5	1.2	2.7	133.6	11.05	95.9	132.0	3.5	2.8	6.4	133.9	10.83	96.9	128.9	3.6	5.1	11.7
				130	OPERATION NOT RECOMMENDED																				
	22.5	3.3	7.6	60	141.5	5.68	122.1	80.7	7.3	1.5	3.5	142.3	5.57	123.3	73.2	7.5	3.3	7.7	143.2	5.46	124.6	69.7	7.7	6.0	13.8
				80	145.0	7.29	120.1	100.5	5.8	1.4	3.2	145.7	7.14	121.4	93.3	6.0	3.1	7.1	146.5	7.00	122.6	89.9	6.1	5.6	13.0
				100	144.1	9.22	112.7	119.9	4.6	1.3	2.9	144.7	9.03	113.9	113.1	4.7	2.9	6.7	145.2	8.85	115.0	109.7	4.8	5.3	12.3
				120	138.9	11.46	99.7	139.0	3.5	1.2	2.7	139.1	11.24	100.8	132.4	3.6	2.8	6.4	139.4	11.01	101.8	129.3	3.7	5.1	11.7
				130	OPERATION NOT RECOMMENDED																				
	30.0	6.1	14.1	60	146.9	5.74	127.3	80.9	7.5	1.5	3.5	147.8	5.62	128.6	73.4	7.7	3.3	7.7	148.7	5.50	129.9	70.0	7.9	6.0	13.8
				80	150.8	7.36	125.7	100.7	6.0	1.4	3.2	151.6	7.21	126.9	93.5	6.2	3.1	7.1	152.3	7.07	128.2	90.1	6.3	5.6	13.0
				100	150.1	9.33	118.3	120.2	4.7	1.3	2.9	150.7	9.15	119.5	113.3	4.8	2.9	6.7	151.3	8.97	120.7	109.9	4.9	5.3	12.3
				120	144.9	11.66	105.1	139.2	3.6	1.2	2.7	145.2	11.43	106.2	132.7	3.7	2.8	6.4	145.5	11.20	107.3	129.5	3.8	5.1	11.7
				130	OPERATION NOT RECOMMENDED																				
80	15.0	1.1	2.5	60	144.7	5.73	125.2	81.7	7.4	1.5	3.5	145.6	5.62	126.5	73.5	7.6	3.3	7.7	146.5	5.51	127.8	69.8	7.8	6.0	13.8
				80	149.6	7.34	124.6	101.8	6.0	1.4	3.2	150.4	7.19	125.9	93.9	6.1	3.1	7.1	151.2	7.05	127.2	90.2	6.3	5.6	13.0
				100	149.3	9.21	117.9	121.4	4.8	1.3	2.9	149.9	9.03	119.1	113.8	4.9	2.9	6.7	150.6	8.85	120.4	110.2	5.0	5.3	12.3
				120	143.8	11.35	105.1	140.4	3.7	1.2	2.7	144.2	11.13	106.2	133.2	3.8	2.8	6.4	144.5	10.91	107.3	129.8	3.9	5.1	11.7
				130	OPERATION NOT RECOMMENDED																				
	22.5	3.1	7.1	60	147.5	5.79	127.7	82.3	7.5	1.5	3.5	148.4	5.67	129.0	74.1	7.7	3.3	7.7	149.3	5.56	130.3	70.3	7.9	6.0	13.8
				80	154.7	7.41	129.4	102.3	6.1	1.4	3.2	155.5	7.26	130.7	94.3	6.3	3.1	7.1	156.3	7.12	132.0	90.6	6.4	5.6	13.0
				100	155.4	9.34	123.5	121.8	4.9	1.3	2.9	156.0	9.16	124.8	114.2	5.0	2.9	6.7	156.7	8.97	126.1	110.6	5.1	5.3	12.3
				120	149.7	11.59	110.2	140.7	3.8	1.2	2.7	150.1	11.35	111.3	133.5	3.9	2.8	6.4	150.4	11.13	112.5	130.1	4.0	5.1	11.7
				130	OPERATION NOT RECOMMENDED																				
	30.0	5.8	13.4	60	153.9	8.85	133.9	82.4	7.7	1.5	3.5	154.8	5.73	135.3	74.2	7.9	3.3	7.7	155.8	5.62	136.6	70.4	8.1	6.0	13.8
				80	161.5	7.49	135.9	102.5	6.3	1.4	3.2	162.3	7.34	137.3	94.5	6.5	3.1	7.1	163.2	7.19	138.7	90.8	6.7	5.6	13.0
				100	162.7	9.48	130.3	122.0	5.0	1.3	2.9	163.3	9.29	131.6	114.4	5.2	2.9	6.7	164.0	9.10	133.0	110.8	5.3	5.3	12.3
				120	157.4	11.82	117.1	141.0	3.9	1.2	2.7	157.8	11.59	118.3	133.8	4.0	2.8	6.4	158.2	11.36	119.4	130.4	4.1	5.1	11.7
				130	OPERATION NOT RECOMMENDED																				

Interpolation is permissible, extrapolation is not  
 All performance data is based upon the lower voltage of dual voltage rated units  
 Operation below 40°F EWT is based upon 15% methanol antifreeze solution  
 See performance data notes for operation in the shaded areas. Calculation to determine percentage of antifreeze required on source side.  
 Performance stated is at the rated power supply, performance may vary as the power supply varies from the rated

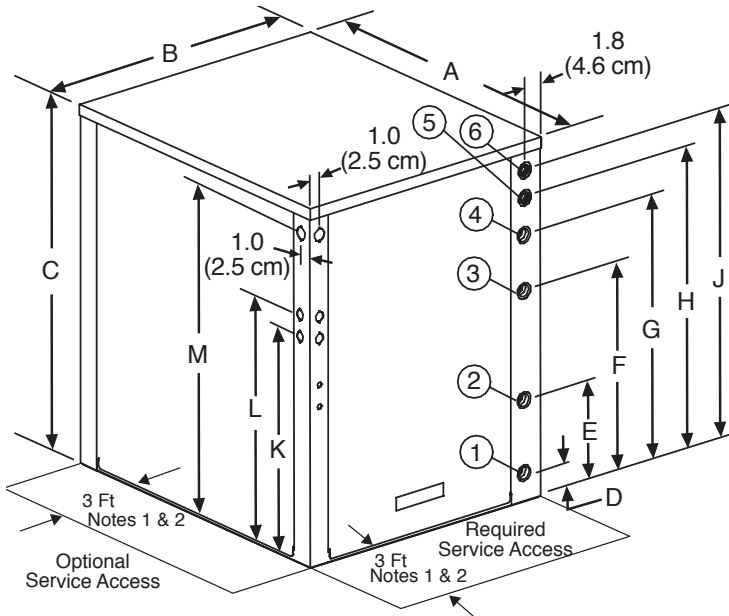
## Electrical Data

Model	Voltage Code	Rated Voltage	Min/Max Voltage	Compressor			HWG Pump FLA	EXT Loop Pump FLA	Total Unit FLA	Min Circuit Amps	Max Fuse/HACR
				RLA	LRA	QTY					
036	G	208-230/60/1	197/252	16.7	79.0	1	0.5	4.0	21.2	25.3	40
060	G	208-230/60/1	197/252	26.3	134.0	1	0.5	4.0	30.8	37.3	60
120	G	208-230/60/1	197/252	26.3	134.0	2	0.5	4.0	57.1	63.6	80

HACR circuit breaker in USA only  
 Residential units come standard with 75VA transformer, HWG pump, and HWG connections

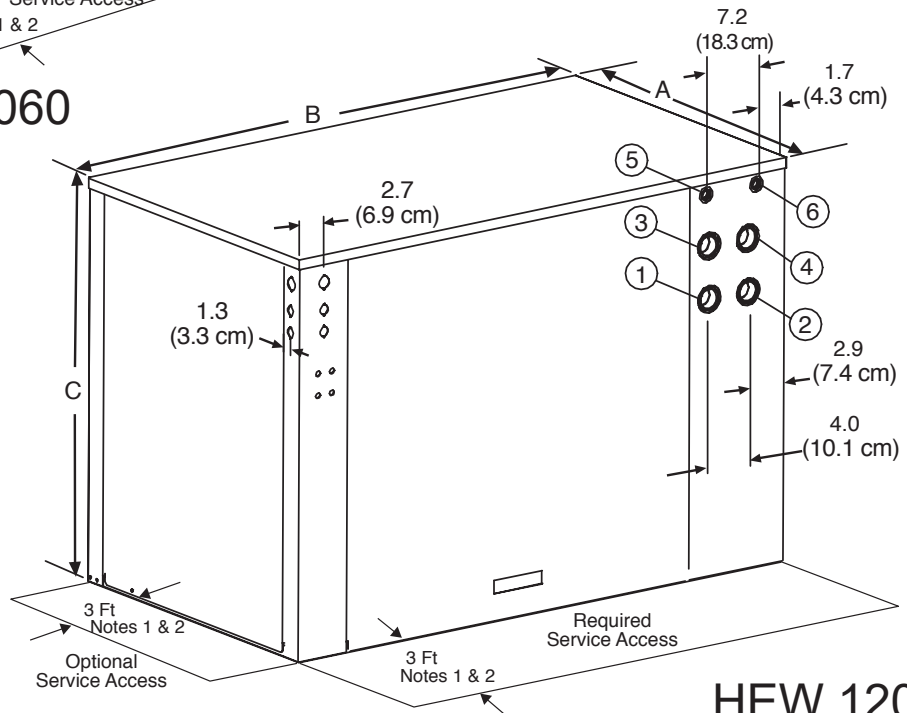


# Dimensions - HEW036, HEW060 & HEW120



- Notes:
1. Front & side access is preferred for service access. However, all components may be serviced from the front access panel if side access is not available.
  2. While clear access to all removable panels is not required, installer should take care to comply with all building codes and allow adequate clearance for future field service.

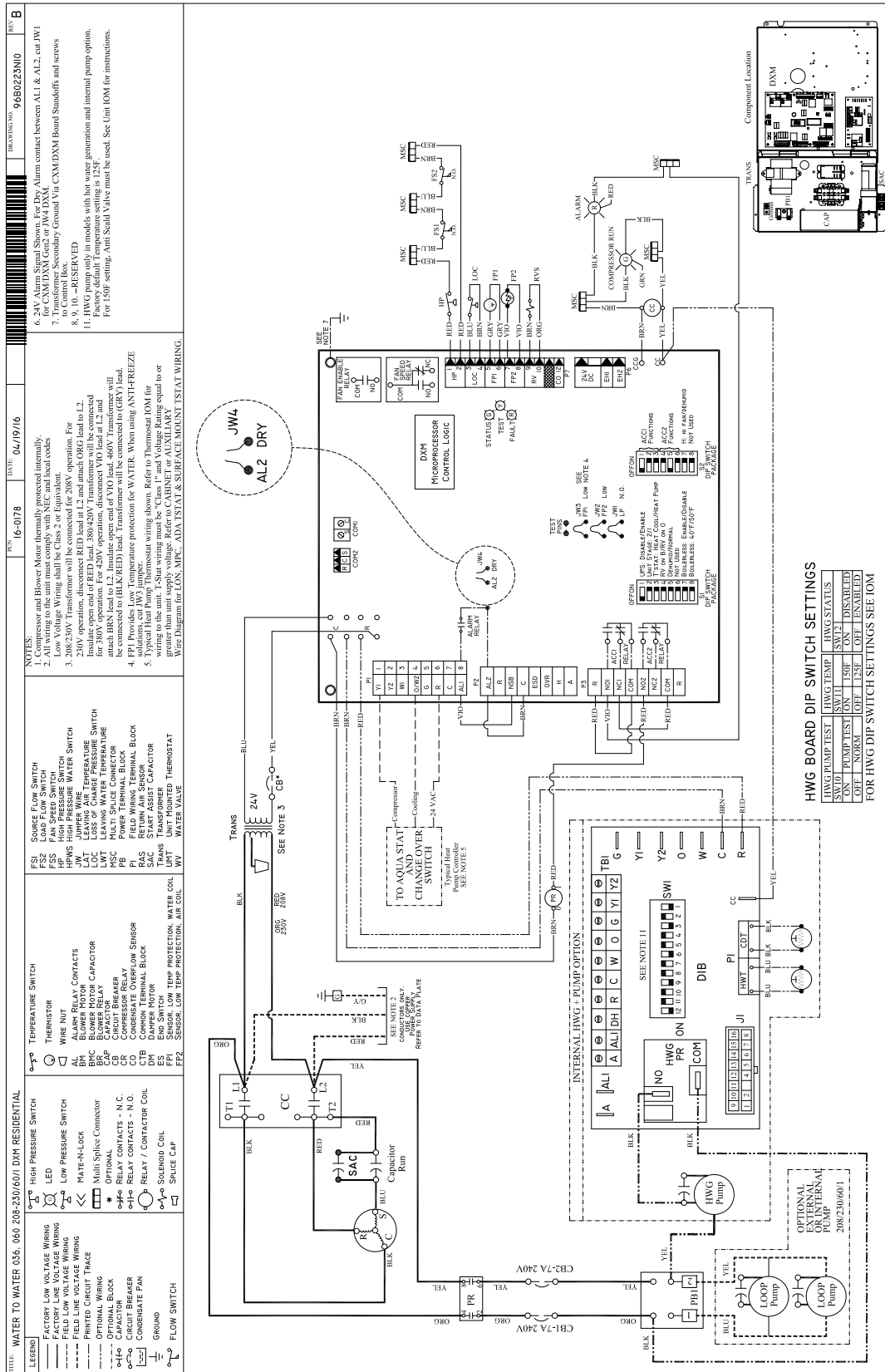
**HEW 036, 060**



**HEW 120**

Water to Water	Overall Cabinet			Water Connections						Electric Access Plugs			
				1	2	3	4	5	6	K	L	M	
	A Depth	B Width	C Height	D Source (Outdoor) Water In	E Source (Outdoor) Water Out	F Load (Indoor) Water In	G Load (Indoor) Water Out	H HWG Water In	J HWG Water Out	K Low Voltage	L External Pump	M Power Supply	
036-060	in.	30.6	25.4	33	2.7	9.4	19.4	24.5	27.9	30.4	20.9	22.9	30.9
	cm.	77.8	64.5	83.8	6.9	23.9	49.3	62.2	70.9	77.2	53.1	58.2	78.5
120	in.	30.6	52.9	37	25.2	25.2	30.1	30.1	34.9	34.9	29.9	31.9	34.4
	cm.	77.8	134.4	94	64.0	64.0	76.5	76.5	88.6	88.6	75.9	81.0	87.4

# HEW036 & HEW060 Electrical Wiring Diagram - 96B0223N10





# Accessories

## Accessories & Options

### **Hot Water Generator**

The optional Hot Water Generator includes an insulated double wall vented heat reclaiming heat exchanger suitable for potable water. The heat exchanger coil and hot water circulating pump are factory mounted internal to the unit. The microprocessor Hot Water Generator control uses sensors to monitor the entering potable water temperature and the compressor discharge line temperature and allows the Hot Water Generator to operate any time conditions permit. The Hot Water Generator includes a pump sampling mode to sense the hot water storage temperature while the Hot Water Generator is inactive.

### **Flow Controller (field installed)**

A self-contained module shall provide all fluid pumping, fill and connection requirements for ground-source closed-loop systems up to 20 GPM. The Flow Controller shall provide 1" pump isolation valves and 3-way service valves. Pump heads shall be removable from the volute for easy replacement. The Flow Controller shall be enclosed in a polystyrene case and fully insulated with urethane foam to prevent condensation. The Flow Controller shall have a 5-year warranty on all parts.

### **Hose Connection Kit (field installed)**

An accessory hose kit shall provide 150psi 1" rubber hose with brass fittings equipped with service pressure/temperature ports for connection between the unit and Flow Controller.

---

## Notes



## LIMITED EXPRESS WARRANTY

Congratulations on purchasing your new HVAC equipment. It's been designed for long life and reliable service, and is backed by one of the strongest warranties in the industry. Your unit automatically qualifies for the warranty coverage listed below, providing you keep your proof of purchase (receipt) for the equipment and meet the warranty conditions.

### LIMITED TEN (10) YEAR EXPRESS WARRANTY

MARS warrants all parts of the HEW/HNW residential geothermal heat pump including the compressor to be free from defects in workmanship and materials for normal use and maintenance for ten (10) years from the date of purchase by the original consumer for the original installation. This Express Limited Warranty applies only when the geothermal heat pump is installed as a complete matched system, and only when the system is installed per MARS installation instructions and in accordance with all local, state and national codes for normal use.

### LIMITED FIVE (5) YEAR LABOR ALLOWANCE

Labor is allowed for warranty service for a period of five (5) years from the date of purchase when the unit is properly registered and commissioned according to the start-up procedure specified in the Installation/Operation Manual, and when the Geothermal Start-Up Certification Form is completed and submitted to MARS.

### EXCEPTIONS

The Limited Express Warranty does not cover normal maintenance—MARS recommends that regular inspection/maintenance be performed at least once a season and proof of maintenance be kept. Additionally, labor charges, transportation charges for replacement parts, replacement of refrigerant or filters, any other service calls/repairs are not covered by this Limited Warranty. It also does not cover any portion or component of the system that is not supplied by MARS, regardless of the cause of failure of such portion or component.

### CONDITIONS FOR WARRANTY COVERAGE

- Unit must be operated according to MARS operating instructions included with the unit and cannot have been subjected to accident, alteration, improper repair, neglect or misuse, or an act of God (such as a flood)
- Installation was done by a trained, licensed or otherwise qualified HVAC dealer/contractor
- Performance cannot be impaired by use of any product not authorized by MARS, or by any adjustments or adaptations to components
- Serial numbers and/or rating plate have not been altered or removed
- Damage has not been a result of inadequate wiring or voltage conditions, use during brown-out conditions, or circuit interruptions
- Air flow around any section of the unit has not been restricted
- Unit remains in the original installation
- Unit was not purchased over the internet

### DURATION OF WARRANTY & REGISTRATION

The warranty begins on the date of purchase by the original consumer. The consumer must retain a receipted bill of sale as proof of warranty period. Without this proof, the express warranty begins on the date of shipment from the factory.

### REMEDY PROVIDED BY THE LIMITED EXPRESS WARRANTY

The sole remedy under the Limited Warranty is replacement of the defective part. If replacement parts are required within the period of this warranty, MARS replacement parts shall be used; any warranty on the replacement part(s) shall not affect the applicable original unit warranty. Ready access to the unit for service is the owner's responsibility. Labor to diagnose and replace the defective part is not covered by this Limited Express Warranty. If for any reason the replacement part/product is no longer available during the warranty period, MARS shall have the right to allow a credit in the amount of the current suggested retail price of the part/product instead of providing repair or replacement.

### LIMITATION OF LIABILITY

1. There are no other express or implied warranties. MARS makes no warranty of merchantability. We do not warrant that the unit is suitable for any particular purpose or can be used in buildings or rooms of any particular size or condition except as specifically provided in this document. There are no other warranties, express or implied, which extend beyond the description in this document.
2. All warranties implied by law are limited in duration to the seven-year term of the parts warranty. Your exclusive remedy is limited to the replacement of defective parts. **We will not be liable for any consequential or incidental damages caused by any defect in this unit.**
3. This warranty gives you specific legal rights and you may also have other rights which vary from state to state. Some states do not allow limitation on how long an implied warranty lasts or do not allow the exclusion or limitation of incidental or consequential damages, so the above limitations or exclusions may not apply to you.
4. No warranties are made for units sold outside the continental United States and Canada. Your distributor or final seller may provide a warranty on units sold outside these areas.
5. MARS will not be liable for damages if our performance regarding warranty resolution is delayed by events beyond our control including accident, alteration, abuse, war, government restrictions, strikes, fire, flood, or other acts of God.

### HOW TO OBTAIN WARRANTY SERVICE OR PARTS

If you have a warranty claim, notify your installer promptly. If the installer does not remedy your claim, write to MARS, 1900 Wellworth Ave., Jackson MI 49203. Enclose a report of inspection by your installer or service person. Include model number, serial number, and date of purchase.

**Owner responsibilities are set forth in the instruction manual—read it carefully.**

Please visit [www.marsdelivers.com](http://www.marsdelivers.com) to register your new product



### KEEP THIS INFORMATION AS A RECORD OF YOUR PURCHASE

GEOTHERMAL HEAT PUMP

INSTALLATION

Model Number

Installer Name

Serial Number

Phone Number/Contact Information

Date of Purchase

Date Installation Completed

Component of new HVAC system

Replacement heat pump only

Remember to retain your bill of sale as proof of warranty period.

# Performance Sheet

**SUBMITTAL DATA - S-I UNITS**

Unit Designation: \_\_\_\_\_  
 Job Name: \_\_\_\_\_  
 Architect: \_\_\_\_\_  
 Engineer: \_\_\_\_\_  
 Contractor: \_\_\_\_\_

**PERFORMANCE DATA**

Cooling Capacity: \_\_\_\_\_ kW  
 EER: \_\_\_\_\_  
 Heating Capacity: \_\_\_\_\_ kW  
 COP: \_\_\_\_\_  
 Ambient Air Temp: \_\_\_\_\_ °C  
 Entering Water Temp (Clg): \_\_\_\_\_ °C  
 Entering Air Temp (Clg): \_\_\_\_\_ °C  
 Entering Water Temp (Htg): \_\_\_\_\_ °C  
 Entering Air Temp (Htg): \_\_\_\_\_ °C  
 Airflow: \_\_\_\_\_ l/s  
 Fan Speed or Motor/RPM/Turns: \_\_\_\_\_  
 Operating Weight: \_\_\_\_\_ (kg)

**ELECTRICAL DATA**

Power Supply: \_\_\_\_\_ Volts  
 \_\_\_\_\_ Phase \_\_\_\_\_ Hz  
 Minimum Circuit Ampacity: \_\_\_\_\_  
 Maximum Overcurrent Protection: \_\_\_\_\_

**SUBMITTAL DATA - I-P UNITS**

Unit Designation: \_\_\_\_\_  
 Job Name: \_\_\_\_\_  
 Architect: \_\_\_\_\_  
 Engineer: \_\_\_\_\_  
 Contractor: \_\_\_\_\_

**PERFORMANCE DATA**

Cooling Capacity: \_\_\_\_\_ Btuh  
 EER: \_\_\_\_\_  
 Heating Capacity: \_\_\_\_\_ Btuh  
 COP: \_\_\_\_\_  
 Ambient Air Temp: \_\_\_\_\_ °F  
 Entering Water Temp (Clg): \_\_\_\_\_ °F  
 Entering Air Temp (Clg): \_\_\_\_\_ °F  
 Entering Water Temp (Htg): \_\_\_\_\_ °F  
 Entering Air Temp (Htg): \_\_\_\_\_ °F  
 Airflow: \_\_\_\_\_ CFM  
 Fan Speed or Motor/RPM/Turns: \_\_\_\_\_  
 Operating Weight: \_\_\_\_\_ (lb)

**ELECTRICAL DATA**

Power Supply: \_\_\_\_\_ Volts  
 \_\_\_\_\_ Phase \_\_\_\_\_ Hz  
 Minimum Circuit Ampacity: \_\_\_\_\_  
 Maximum Overcurrent Protection: \_\_\_\_\_

# Revision History

Date	Page #	Description
April 14, 2016	3,7,19,20	Updated series features, warranty and deleted engineering specs.
January 4, 2016	8-19	Included WPD adder to performance data pages and edited strainer table
November 20, 2015	All	First Published

Due to ongoing product improvements, specifications and dimensions are subject to change and correction without notice or incurring obligations. Determining the application and suitability for use of any product is the responsibility of the installer. Additionally, the installer is responsible for verifying dimensional data on the actual product prior to beginning any installation preparations.

Incentive and rebate programs have precise requirements as to product performance and certification. All products meet applicable regulations in effect on date of manufacture; however, certifications are not necessarily granted for the life of a product. Therefore, it is the responsibility of the applicant to determine whether a specific model qualifies for these incentive/rebate programs.



1900 Wellworth Ave., Jackson, MI 49203 • Ph. 517-787-2100 • [www.marsdelivers.com](http://www.marsdelivers.com)

