

FEATURES

- Durable aluminized steel tubular heat exchanger
- Hot-surface ignition for dependable operation
- Quiet multi-speed ECM blower motor
- Natural gas and propane (LP) convertible, LP kit Included
- Designed for multi-position installation: Upflow, downflow, horizontal
- Industry-standard cabinet sizes for easy replacement, installation and add-on cooling
- Convenient left or right connection for gas and electric service
- Removable base for side or bottom return applications

SINGLE-STAGE MULTI-POSITION GAS FURNACE

80% AFUE



California Only

This furnace does not meet the South Coast Air Quality Management District (SCAQMD) Rule 1111 and San Joaquin Valley Air Pollution Control District (SJVAPCD) Rule 4905 NOx emission limit (14 ng/J) and cannot be installed within the SCAQMD or SJVAPCD and Bay Area.



Limited Warranty

5 years on parts and 10 years on compressor and heat exchanger. Unit cost replacement if heat exchanger, condenser coil, evaporator coil (excludes cased coils), or compressor fails in the first year. With registration, 10 years on all parts and 20 years on heat exchanger.

(Limitations apply, see actual warranty for complete details.)

www.century-hvac.com

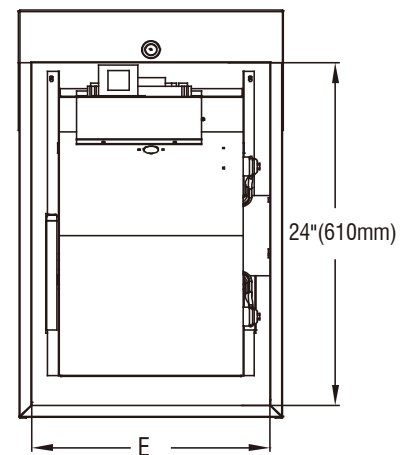
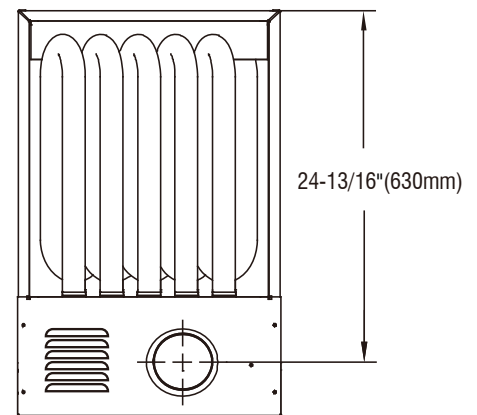
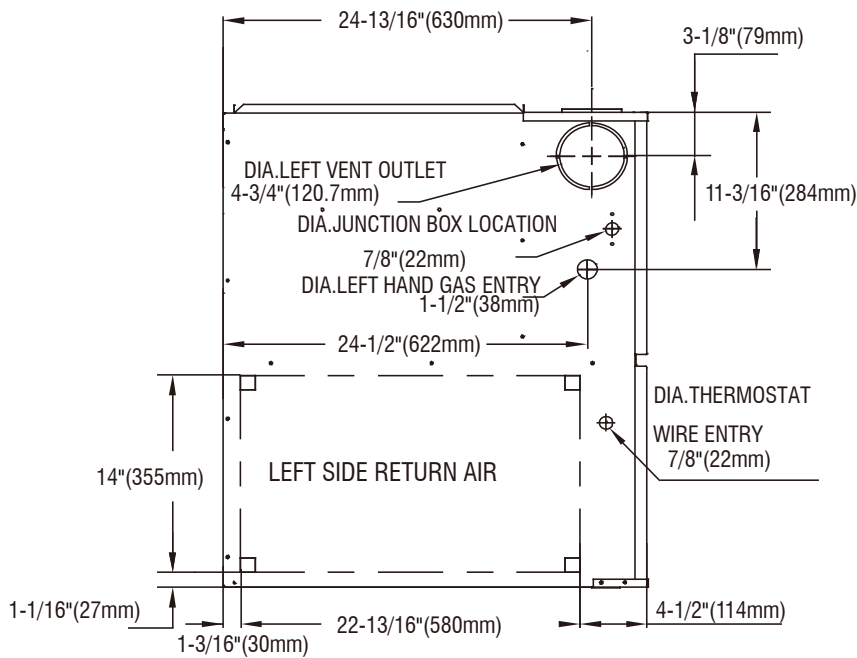
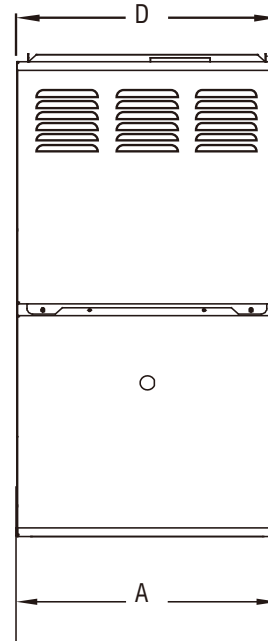
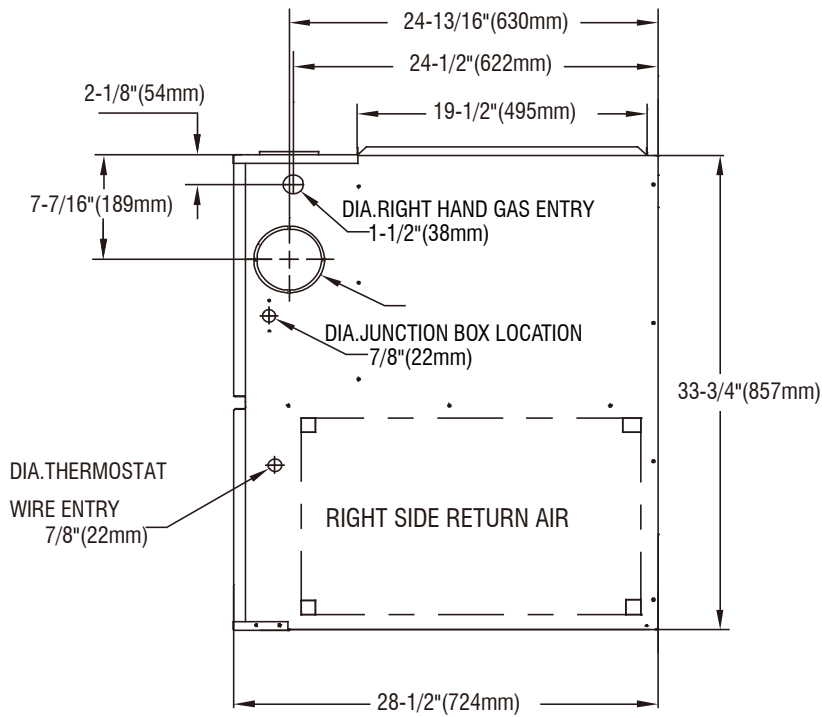
MODEL NUMBER GUIDE

G	F	M	80	S	040	A	3	S	1	A
Gas	Furnace	Multi-Position	Efficiency %	Number of Stages: S=Single	Heating BTUH x 1000	Cabinet Width: A=14.5 in. B=17.5 in. C=21 in. D=24.5 in.	Cooling Tons	SE Series	Power 1=115-1-60	Revision Level

SPECIFICATIONS

	GFM80S040A3S1A	GFM80S060A3S1A	GFM80S060B4S1A	GFM80S080B4S1A	GFM80S080C4S1A	GFM80S100C5S1A	GFM80S120D5S1A
GAS HEATING PERFORMANCE							
Input (BTU/h)	40,000	60,000	60,000	80,000	80,000	100,000	120,000
Output (BTU/h)	32,000	48,000	48,000	64,000	64,000	80,000	96,000
ELECTRICAL DATA							
Voltage / Phase	115/1	115/1	115/1	115/1	115/1	115/1	115/1
Min. / Max. Voltage	104/127	104/127	104/127	104/127	104/127	104/127	104/127
Min. Circuit Amps	6	6	6	6	6	12.3	13
Max. Overcurrent Protection	15	15	15	15	15	20	20
FAN MOTOR							
Motor Type	ECM	ECM	ECM	ECM	ECM	ECM	ECM
Horsepower	1/2	1/2	1/2	1/2	1/2	1	1
Rated RPM	1050	1050	1050	1050	1050	1050	1050
Full Load Amps (FLA)	8	8	8	8	8	14	14





	040A3S	060A3S	060B4S	080C4S	080C4S	100C5S	120D5S
DIMENSIONS AND WEIGHTS							
A - Cabinet Width (in.)	14.5	14.5	17.5	17.5	21	21	24.5
D - Supply Air Width (in.)	13	13	16	16	19.5	19.5	23
E - Return Air Width (in.)	15-17/32	15-17/32	15-17/32	15-17/32	19-13/32	19-13/32	22-27/32
Shipping Weight (lbs.)	119	119	126	139	146	159	170

COMBUSTION SYSTEM SPECIFICATIONS

Model			040A3S	060A3S	060B4S	080B4S	080C4S	100C5S	120D5S
Max. Inlet Gas Press	Natural Gas	in.w.c	10.5	10.5	10.5	10.5	10.5	10.5	10.5
	Propane Gas (LP)	in.w.c	13	13	13	13	13	13	13
Min. Inlet Gas Press	Natural Gas	in.w.c	4.5	4.5	4.5	4.5	4.5	4.5	4.5
	Propane Gas (LP)	in.w.c	11	11	11	11	11	11	11
Natural Gas Manifold Pressure		in.w.c	3.0	3.5	3.5	3.8	3.8	3.8	3.9
Propane Gas Manifold Pressure		in.w.c	10	10	10	10	10	10	10.5
Natural Gas Factory Orifice (0-2000 feet)		#	50	45	45	49	49	49	49
Propane Gas (LP) Factory Orifice (0-2000 feet)		#	59	55	55	56	56	56	56
Gas Connection Size		in. NPT	3/4	3/4	3/4	3/4	3/4	3/4	3/4
Igniton Device			Hot surface						
Number of Burners		#	3	3	3	5	5	6	7
Primary Heat exchanger Diameter		Inch	1-1/2	1-1/2	1-1/2	1-1/2	1-1/2	1-1/2	1-1/2
Safety Switch Settings									
Pressure Switch Factory Setting		Low	in.w.c	0.55	0.55	0.55	0.55	0.55	0.55
Rollout switch - resettable		Off/On	°F	300	300	300	300	300	300
Inlet High Temperature Limit switch - fixed		Off/On	°F	180/150	180/150	180/150	150/120	180/150	180/150

HIGH ALTITUDE DERATE ORIFICE SIZE CHART (NATURAL AND LP GAS*)

Input Rate KBTU/H	Number of Burner	Elevation(Ft)									
		0-2000		2000-4000		4000-6000		6000-8000		8000-10000	
		Nat	LP	Nat	LP	Nat	LP	Nat	LP	Nat	LP
40A	3	50	59	51	61	52	62	53	64	54	65
60A	3	45	55	47	56	48	56	49	57	51	57
60B	3	45	55	47	56	48	56	49	57	51	57
80B	5	49	56	50	57	51	58	52	59	53	61
80C	5	49	56	50	57	51	58	52	59	53	61
100C	6	49	56	50	57	51	58	52	59	53	61
120D	7	49	56	50	57	51	58	52	59	53	61

*LP orifice based on 10in.w.c manifold pressure
The input to the furnace must be checked AFTER reorificing



AIRFLOW DATA

FURNACE SIZE	SPEED	Static Pressure	0	0.2	0.4	0.6	0.8	1	
40A	H	[SCFM]	1149	1121	1160	1153	1143	1169	
		Temp.Rise °F	26	27	26	26	26	26	
	MH	[SCFM]	999	1008	994	1030	990	972	
		Temp.Rise °F	30	30	30	29	30	31	
	M	[SCFM]	799	777	797	782	828	809	
		Temp.Rise °F	37	38	37	38	36	37	
	ML	[SCFM]	600	611	622	611	577	632	
		Temp.Rise °F	/	/	/	/	/	/	
	L	[SCFM]	450	483	460	469	437	454	
		Temp.Rise °F	/	/	/	/	/	/	
	60A	H	[SCFM]	1149	1121	1160	1153	1143	1169
			Temp.Rise °F	39	40	39	39	39	38
MH		[SCFM]	999	1008	994	1030	990	972	
		Temp.Rise °F	45	44	45	43	45	46	
M		[SCFM]	799	777	797	782	828	809	
		Temp.Rise °F	/	/	/	/	/	/	
ML		[SCFM]	600	611	622	611	577	632	
		Temp.Rise °F	/	/	/	/	/	/	
L		[SCFM]	450	483	460	469	437	454	
		Temp.Rise °F	/	/	/	/	/	/	
60B		H	[SCFM]	1301	1294	1313	1325	1301	1288
			Temp.Rise °F	34	35	34	34	34	35
	MH	[SCFM]	1101	1106	1103	1106	1077	1142	
		Temp.Rise °F	41	40	41	40	42	39	
	M	[SCFM]	901	899	889	886	879	918	
		Temp.Rise °F	50	50	50	50	51	49	
	ML	[SCFM]	800	816	841	783	824	813	
		Temp.Rise °F	/	/	/	/	/	/	
	L	[SCFM]	600	631	635	612	601	610	
		Temp.Rise °F	/	/	/	/	/	/	
	80B	H	[SCFM]	1301	1294	1313	1325	1301	1288
			Temp.Rise °F	46	46	45	45	46	46
MH		[SCFM]	1101	1106	1103	1106	1077	1142	
		Temp.Rise °F	54	54	54	54	55	52	
M		[SCFM]	901	899	889	886	879	918	
		Temp.Rise °F	/	/	/	/	/	/	
ML		[SCFM]	800	816	841	783	824	813	
		Temp.Rise °F	/	/	/	/	/	/	
L		[SCFM]	600	631	635	612	601	610	
		Temp.Rise °F	/	/	/	/	/	/	

FURNACE SIZE	SPEED	Static Pressure	0	0.2	0.4	0.6	0.8	1	
80C	H	[SCFM]	1301	1297	1271	1251	1343	1240	
		Temp.Rise °F	46	46	47	48	44	48	
	MH	[SCFM]	1101	1113	1142	1141	1060	1168	
		Temp.Rise °F	54	54	52	52	56	51	
	M	[SCFM]	901	855	905	938	874	924	
		Temp.Rise °F	/	/	/	/	/	/	
	ML	[SCFM]	800	785	815	823	798	863	
		Temp.Rise °F	/	/	/	/	/	/	
	L	[SCFM]	600	606	593	549	571	549	
		Temp.Rise °F	/	/	/	/	/	/	
	100C	H	[SCFM]	1751	1739	1742	1739	1736	1733
			Temp.Rise °F	43	43	43	43	43	43
MH		[SCFM]	1501	1516	1492	1500	1499	1505	
		Temp.Rise °F	50	49	50	50	50	50	
M		[SCFM]	1351	1351	1364	1356	1347	1336	
		Temp.Rise °F	55	55	55	55	55	56	
ML		[SCFM]	1151	1154	1152	1132	1154	1142	
		Temp.Rise °F	/	/	/	/	/	/	
L		[SCFM]	1001	995	996	982	981	1013	
		Temp.Rise °F	/	/	/	/	/	/	
120D		H	[SCFM]	1951	1910	1896	1929	1981	1917
			Temp.Rise °F	38	39	39	39	38	39
	MH	[SCFM]	1751	1775	1749	1772	1786	1771	
		Temp.Rise °F	43	42	43	42	42	42	
	M	[SCFM]	1501	1570	1575	1569	1543	1544	
		Temp.Rise °F	50	48	47	48	48	48	
	ML	[SCFM]	1348	1420	1410	1416	1412	1400	
		Temp.Rise °F	55	53	53	53	53	53	
	L	[SCFM]	1148	1210	1196	1174	1179	1175	
		Temp.Rise °F	/	/	/	/	/	/	

GFM80S

The Century logo features a stylized white 'C' with three horizontal lines extending from its top left, followed by the word 'Century' in a white, italicized sans-serif font with a registered trademark symbol.

Due to ongoing product improvements, specifications and dimensions are subject to change and correction without notice or incurring obligations. Determining the application and suitability for use of any product is the responsibility of the installer. Additionally, the installer is responsible for verifying dimensional data on the actual product prior to beginning any installation preparations.

Third party incentive and rebate programs have precise requirements as to product performance and certification. All products meet applicable regulations in effect on date of manufacture; however, certifications are not necessarily granted for the life of a product. Therefore, it is the responsibility of the applicant to determine whether a specific model qualifies for these incentive/rebate programs.

“This product complies with all California product labeling laws including, but not limited to, the Safe Drinking Water and Toxic Enforcement Act of 1986, more commonly known as Proposition 65.”